

Part #10668S

Camaro SS Grille Assembly (Black SS, with Silver Trim)

<i>Part No.</i>	<i>Quantity</i>	<i>Description</i>
10469	1	Gloss Black Grille Assembly
50249	8	Pine Tree Fasteners
10101	1	Camaro SS Black w/Silver Trim
10663	1	License Plate Bracket and Hardware

Part #10668R

Camaro SS Grille Assembly (Black SS, with Red Trim)

<i>Part No.</i>	<i>Quantity</i>	<i>Description</i>
10469	1	Gloss Black Grille Assembly
50249	8	Pine Tree Fasteners
10100	1	Camaro SS Black w/Red Trim
10663	1	License Plate Bracket and Hardware

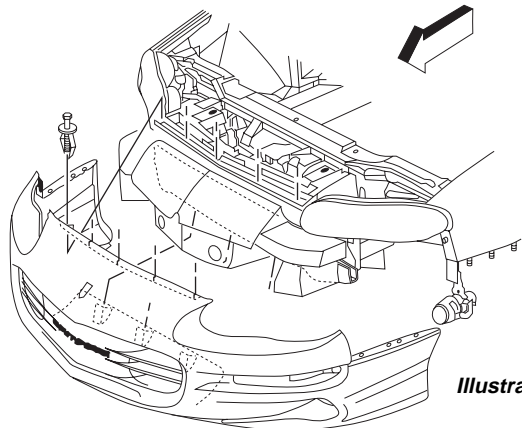


Illustration 1-1

NOTE: The GM Service Manual recommends removal of the vehicle's front fascia assembly for proper removal of the OEM grille (Illustrations 1-1 to 1-5). The OEM grille can, however, be removed without removal of the complete front fascia. Using the latter method may lead to the inability to re-use the OEM grille. If your state requires the use of a front license plate, refer to the installation instructions for SLP part number 10663, license plate mounting bracket kit.

Installation Instructions

Removal of Complete Fascia:

1. Remove the vehicle's front fascia assembly by first removing the five (5) upper fascia retainers along the radiator support (see illustration 1-1).
2. Remove the fascia's outer deflectors (see illustration 1-2).
3. Remove the fascia outer support nuts and bolts (see illustration 1-3).

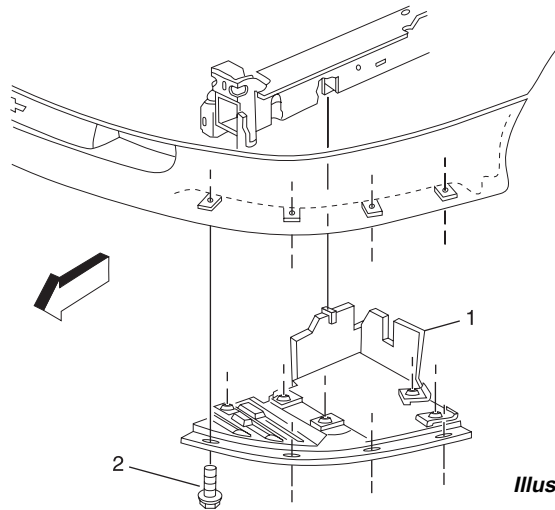


Illustration 1-2

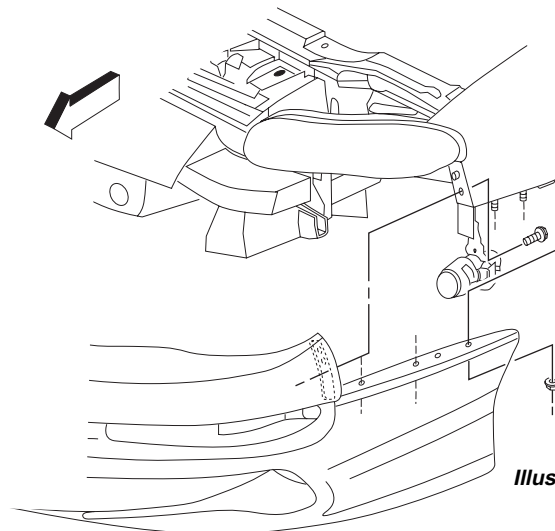


Illustration 1-3

4. Disconnect all electrical connectors to front lamps.
Remove the three (3) lower fascia retainers along the impact bar (see illustration 1-4), and remove the front fascia assembly.
5. With the fascia assembly on a clean work surface, remove the OEM grille nuts and grille retaining clips (see illustration 1-5).
6. Follow steps 6-11 below to install your new Camaro SS Grille.
7. Re-install the front fascia back onto the vehicle by following step #1 in reverse order.

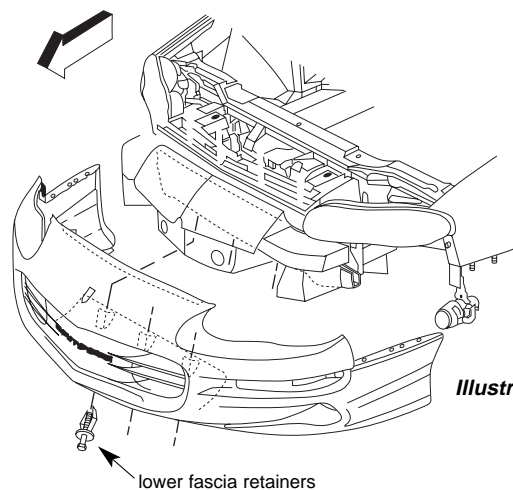


Illustration 1-4

Removal of Grille Only:

1. Raise vehicle on hoist.
2. Remove the three (3) lower fascia retainers (Illustration 1-4).
3. This will allow access to the lower front bumper grille retainers.
4. Remove these retainers (speed nuts) using needle nose pliers (Illustration 1-5).
5. Remove the front bumper grille by pulling on the exterior surface. This will cause the upper retaining tabs to disengage.
6. Center the SS grille in the front bumper grille opening, taking care to balance the gap on all sides.
7. Once the grille is in position, use the eight (8) predrilled fastener holes in the grille to mark the vehicle locations for drilling a 7-mm or 5/16 inch hole. (Illustration 1-6)
8. Remove the grille, drill the eight (8) holes. Take special care when drilling the top 4 holes. Drilling too far could cause damage to the top surface of the front fascia. All of the holes should be drilled at an angle that will allow the head of the fasteners, installed in the next step, to sit flush against the grille surface.
9. Place the grille in position and insert the supplied pinetree fasteners.
10. Push retainers in until fully seated.
11. Clean the surface of the raised SS area on grille.
Peel off protective film on SS emblem and carefully apply the emblem to the grille, rubbing firmly to ensure good adhesion.
12. Reinstall the three (3) lower front bumper retainers previously removed in Step 3 (Illustration 1-4).

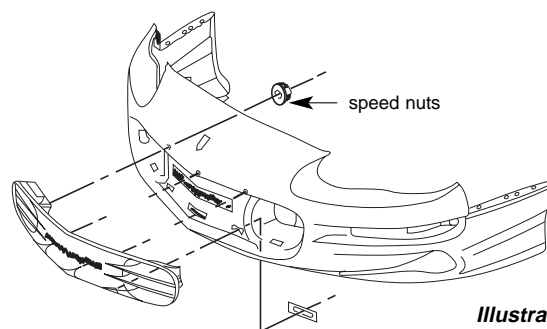


Illustration 1-5

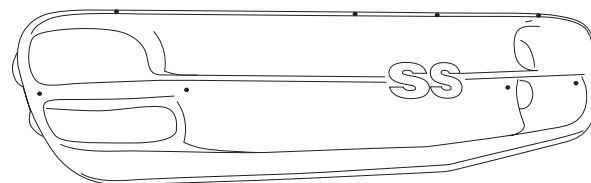


Illustration 1-6

Part #10663 License Plate Bracket and Hardware

Part No.	Quantity	Description
50250	1	License Plate Mounting Bracket
50252	2	Well Nut, 1/4 inch
50238	4	Bolt, 1/4 inch x 1 inch
50265	2	Ny-Lock Nut, 1/4 inch

- 1) Center the bracket below the emblem in the center of the grille assembly. (See figure 1)
- 2) Use the predrilled holes in the brackets to mark the location for drilling the two (2) 1/2 inch holes thru the grille and fascia.
- 3) Remove the bracket and drill holes
- 4) Insert the two (2) well nuts through the grille and fascia.
- 5) Place the brackets into position and tighten the two (2) bolts into well nuts until the bracket is snug to the grille assembly.
- 6) Install license plate onto bracket with supplied screws.

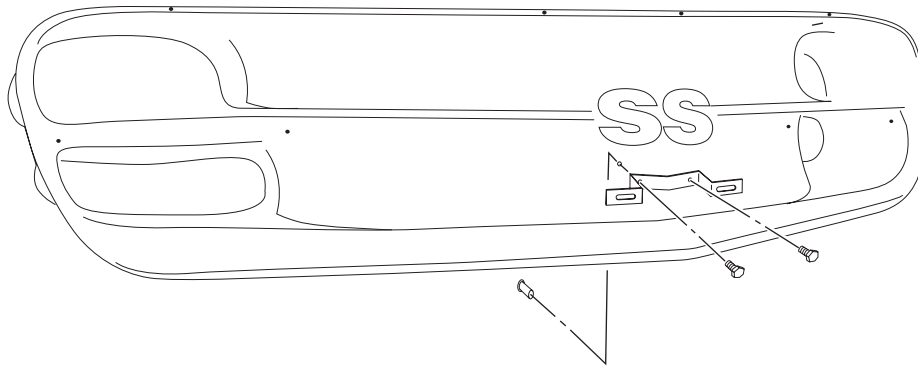


Figure 1