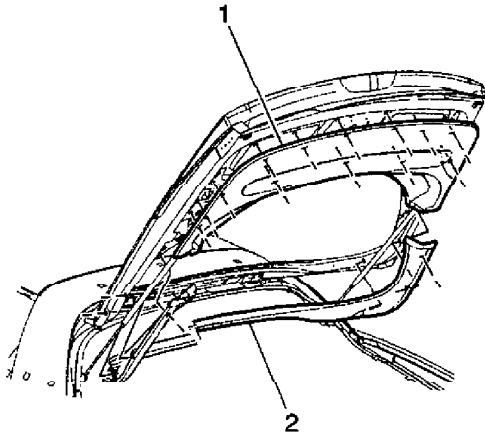


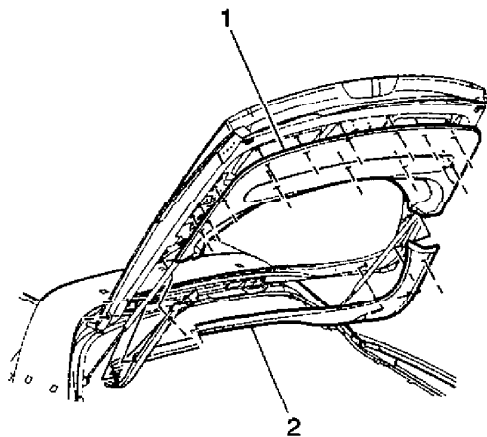
# Trim Panel Replacement - Lift Gate

## Removal Procedure



1. Open the rear compartment lift window.
2. Unsnap and remove the 11 fasteners holding the inner cover (1, 2) from the rear compartment lift window.

## Installation Procedure



1. Line up the inner cover trim panel (1, 2) with cutouts over the struts.
2. Position and snap the 11 fasteners to install the inner cover (1, 2) to the rear compartment lift window.
3. Install the quarter inner rear trim finishing panel. Refer to Trim Panel Replacement - Cargo Area Side .
4. Install the sunshade, if equipped. Refer to Sunshade Replacement .
5. Close the rear compartment lift window.

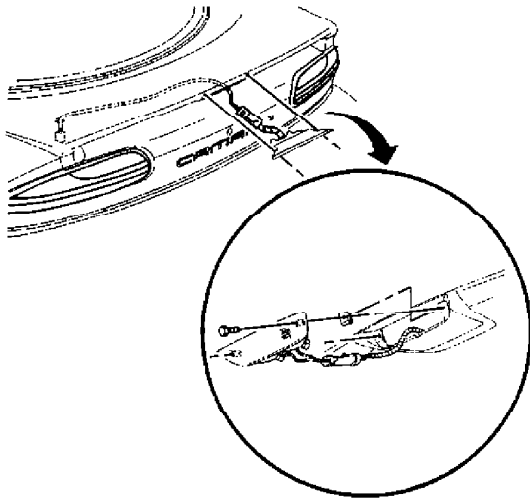
© Copyright General Motors Corporation. All Rights Reserved.

---

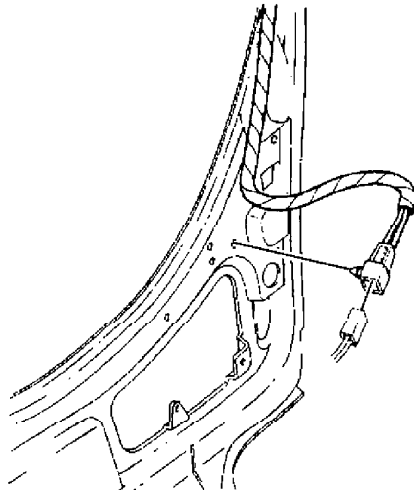
**Document ID # 736415**  
**2001 Chevrolet/Geo Camaro**

# High Mounted Stop Lamp Replacement Chevrolet

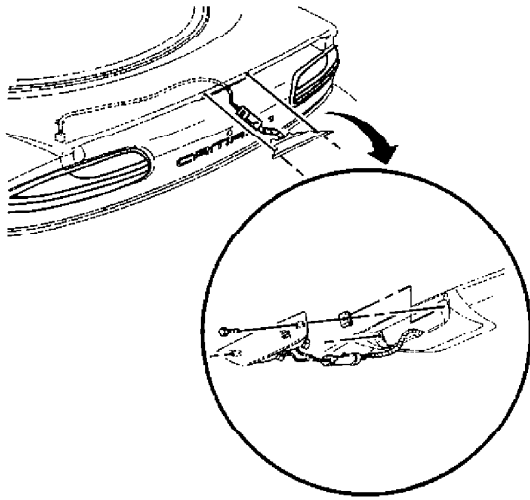
## Removal Procedure



1. Remove the high mount stop lamp screws.
2. Remove the liftgate window trim panel. Refer to Trim Panel Replacement - Lift Gate in Body Rear End.

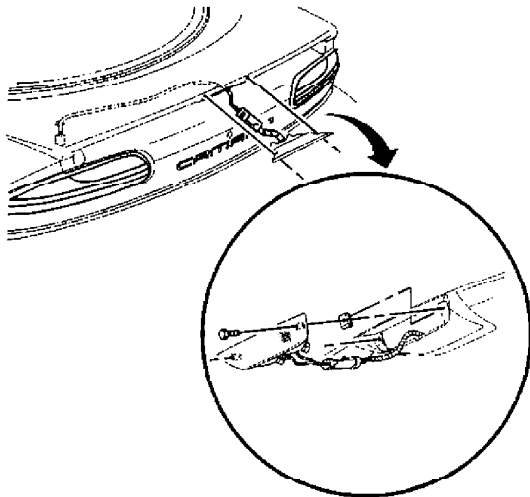


3. Disconnect the high mount stop lamp connector from the electrical harness.

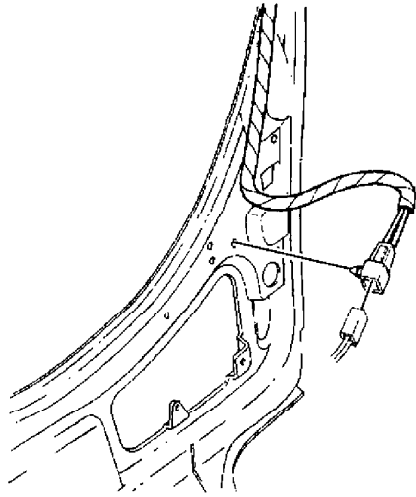


4. Remove the high mount stop lamp from the rear end spoiler.

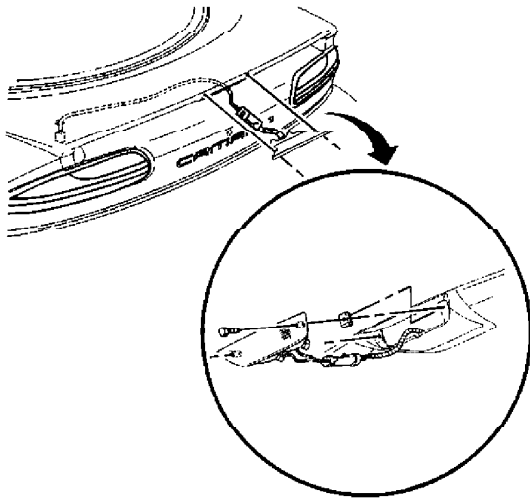
#### **Installation Procedure**



1. Position the high mount stop lamp to the rear end spoiler.



2. Connect the high mount stop lamp connector to the electrical harness.
3. Install the liftgate window finishing lace. Refer to Trim Panel Replacement - Lift Gate in Body Rear End.



### **Notice**

Use the correct fastener in the correct location. Replacement fasteners must be the correct part number for that application. Fasteners requiring replacement or fasteners requiring the use of thread locking compound or sealant are identified in the service procedure. Do not use paints, lubricants, or corrosion inhibitors on fasteners or fastener joint surfaces unless specified. These coatings affect fastener torque and joint clamping

force and may damage the fastener. Use the correct tightening sequence and specifications when installing fasteners in order to avoid damage to parts and systems.

4. Install the high mount stop lamp screws. **Tighten**

Tighten the high mount stop lamp screws to 2 N·m (18 lb in).

© **Copyright General Motors Corporation. All Rights Reserved.**

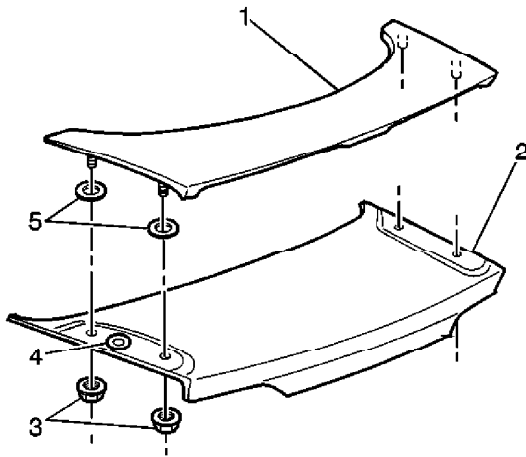
---

**Document ID # 294160**  
**2001 Chevrolet/Geo Camaro**

# Spoiler Replacement - Rear Convertible and Chevy Coupe

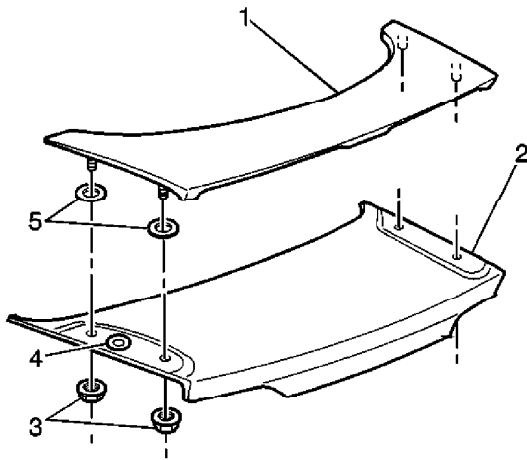
## Removal Procedure

1. Remove the high-mounted stoplamp. Refer to High Mounted Stop Lamp Replacement .



2. Perform the following steps to remove the wiring extension from the spoiler:
  - A. Disconnect the electrical connector.
  - B. Remove the tape.
  - C. From outside of the vehicle, pull the wiring extension from the spoiler.
3. Remove the nuts (3).
4. Remove the spoiler (2).
5. Remove the washers (5).
6. Remove the seal (4).

## Installation Procedure



1. Install the seal (4).
2. Install the washers (5).
3. Install the spoiler (2).

#### **Notice**

Use the correct fastener in the correct location. Replacement fasteners must be the correct part number for that application. Fasteners requiring replacement or fasteners requiring the use of thread locking compound or sealant are identified in the service procedure. Do not use paints, lubricants, or corrosion inhibitors on fasteners or fastener joint surfaces unless specified. These coatings affect fastener torque and joint clamping force and may damage the fastener. Use the correct tightening sequence and specifications when installing fasteners in order to avoid damage to parts and systems.

4. Install the nuts (3). **Tighten**

Tighten the nuts to 6 N·m (53 lb in).

5. Perform the following steps in order to install the harness into the spoiler:
  - A. Route the wiring extension through the spoiler.
  - B. Connect the electrical connector.
  - C. Tape the wiring extension to the lid panel.
6. Install the high-mounted stoplamp. Refer to High Mounted Stop Lamp Replacement .



© Copyright General Motors Corporation. All Rights Reserved.

---

**Document ID # 395109**  
**2001 Chevrolet/Geo Camaro**