

3.8L V6

2001 Chevrolet Camaro

2000-01 ENGINES
General Motors 3.8L V6

Buick; LeSabre, Park Avenue, Regal
Chevrolet; Camaro, Impala, Monte Carlo
Pontiac; Bonneville, Firebird, Grand Prix

* PLEASE READ THIS FIRST *

NOTE: For engine repair procedures not covered in this article,
see ENGINE OVERHAUL PROCEDURES - GENERAL INFORMATION article
in the GENERAL INFORMATION section.

MODEL IDENTIFICATION

MODEL IDENTIFICATION

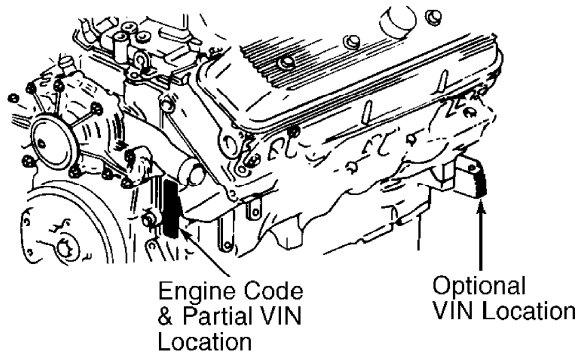
Body Code (1)	Model
"C"	Park Avenue
"F"	Camaro & Firebird
"H"	Bonneville & LeSabre
"W"	Grand Prix, Impala, Monte Carlo & Regal

(1) - Vehicle body code is fourth character of VIN.

ENGINE IDENTIFICATION

Engine can be identified by eighth character of Vehicle Identification Number (VIN) which is stamped on a metal pad located near lower left corner of windshield. See ENGINE IDENTIFICATION CODES table. "Y" in the tenth character of the VIN indicates 2000 model year, and "1" indicates 2001 model year.

Engine can also be identified by a 3-character engine code (RPO code). See ENGINE IDENTIFICATION CODES table. This code may be stamped on engine. See Fig. 1.



G91E08084

Fig. 1: Locating Engine Codes
Courtesy of General Motors Corp.

ENGINE IDENTIFICATION CODES

Engine	Code
3.8L SFI	
8th Character Of Dash VIN	K
Engine Code (RPO Code)	L36
3.8L SFI Supercharged	
8th Character Of Dash VIN	1
Engine Code (RPO Code)	L67

ADJUSTMENTS

VALVE CLEARANCE ADJUSTMENT

Hydraulic valve lifters are used. No valve adjustment is required.

TROUBLE SHOOTING

NOTE: To trouble shoot mechanical engine components, see appropriate table in TROUBLE SHOOTING article in GENERAL INFORMATION.

REMOVAL & INSTALLATION

CAUTION: When battery is disconnected, vehicle computer and memory systems may lose memory data. Driveability problems may exist until computer systems have completed a relearn cycle. See COMPUTER RELEARN PROCEDURES article in GENERAL INFORMATION before disconnecting battery.

NOTE: For reassembly reference, label all electrical connectors, vacuum hoses and fuel lines before removal. Also place mating marks on engine hood and other major assemblies before removal.

FUEL PRESSURE RELEASE

Disconnect negative battery cable. Loosen fuel tank filler cap. Connect Fuel Pressure Gauge (J-34730-1) to fuel line fitting (wrap shop towel around fitting to absorb leakage). Place gauge bleed hose into container. Open bleed valve to release pressure.

COOLING SYSTEM BLEEDING

Except "W" Body

1) Fill radiator to base of filler neck. Start engine. Place A/C-heater control in any position except MAX. Select highest temperature setting. Idle engine until lower radiator hose is hot.

2) Increase engine speed to 3000 RPM and then back to idle. Do this 5 times to expel any air trapped in system. Fill radiator as necessary. Install radiator cap. Allow engine to cool. Fill coolant recovery reservoir as necessary.

"W" Body

Open air bleed valve on thermostat housing. Fill radiator until coolant level is even with filler neck and no air bubbles are coming out of air bleed valve. Close air bleed valve. Install radiator cap. Fill coolant reservoir. Warm engine. Allow engine to cool. Fill radiator and coolant reservoir.

POWER STEERING BLEEDING

CAUTION: If air was introduced into hydraulic system during servicing, bleed system. Aerated fluid, which appears Light Tan in color, results in poor steering performance and will cause pump damage.

1) Turn ignition off. Raise and support vehicle with front wheels off ground. Turn wheels fully to left. Add power steering fluid to FULL COLD mark on dipstick. Turn wheels from side to side at least 20 times, but DO NOT touch steering stops. Add fluid as necessary to maintain level at FULL COLD mark.

2) Start engine. With engine idling, check fluid level. Add fluid as necessary to bring fluid level to FULL COLD mark. Return wheels to center position. Lower vehicle. Continue to run engine for 2 to 3 minutes to raise temperature of fluid and eliminate trapped air. Turn steering wheel in both directions.

3) Road test vehicle. Check for leaks. Ensure fluid level is at FULL HOT mark when fluid is stabilized at operating temperature.

ENGINE

NOTE: Remove engine (without transaxle) through top.

Removal & Installation (Except "F" & "W" Bodies)

1) Remove hood. Disconnect battery cables. Release fuel pressure. See FUEL PRESSURE RELEASE. Remove fuel injector sight shield. Disconnect brake booster connections, and position aside. Disconnect fuel lines from fuel rail. Remove EVAP canister purge valve.

2) Remove cruise control and throttle cables. Remove serpentine drive belt. Raise and support vehicle. Remove engine ground harness from engine block. Disconnect all necessary electrical connectors. Disconnect wiring harness clip on A/C compressor.

3) Remove torque converter cover. Remove starter motor. Remove bolts securing flywheel to torque converter. Remove bolts securing transaxle brace-to-transaxle.

4) Remove exhaust manifold pipe from right exhaust manifold studs and remove gasket. Remove right wheelhouse extension. Remove A/C compressor.

5) Lower vehicle. Remove generator. Remove air cleaner intake duct. Install engine support fixture. Remove power steering pump mounting bolts. Position power steering pump against firewall. Raise and support vehicle. Remove right engine mount bracket. Remove right lower engine-to-transaxle mounting bolt. Drain cooling system. Lower vehicle.

6) Remove radiator inlet hose from water pump. Remove radiator outlet hose from thermostat housing. Remove heater hoses from drive belt tensioner. Remove engine support fixture. Install engine lift chain to engine lift brackets. Remove remaining engine-to-transaxle mounting bolts. Carefully raise engine from vehicle.

7) To install, reverse removal procedure. Fill and bleed cooling system. See COOLING SYSTEM BLEEDING. Fill and bleed power steering system. See POWER STEERING BLEEDING. Tighten bolts to specification. See TORQUE SPECIFICATIONS.

Removal & Installation ("F" Body)

1) Disconnect negative and positive battery cables. Discharge A/C system using approved refrigerant recovery/recycling equipment. Relieve fuel pressure. See FUEL PRESSURE RELEASE. Disconnect A/C compressor and condenser hose from accumulator. Plug openings. Raise and support vehicle. Remove front tires. Drain coolant and engine oil.

2) Remove heated oxygen sensors. Remove catalytic converter bolts. Remove exhaust pipe clamp bolt at catalytic converter and catalytic converter. Remove front fascia lower deflectors and stabilizer bar bushing bolts. Remove radiator inlet hose.

3) On A/T models, remove torque converter bolts. Disconnect transmission fluid oil cooler lines. Disconnect transmission range selector lever cable from transmission. Remove left and right transmission support brackets.

4) On M/T models, disconnect transmission control lever handle. Remove clutch actuator cylinder line from actuator. On all models, remove driveshaft. Remove torque arm from transmission.

5) Remove steering gear coupling shaft from rack and pinion. Remove ground strap. Remove starter. Disconnect A/C compressor and condenser hose from compressor and condenser. Remove negative battery cable from rear compressor bracket mounting stud.

6) Lower vehicle. Remove heater hoses from drive belt tensioner. Remove air cleaner. Disconnect fuel lines at fuel rail. Disconnect cruise control cable from throttle body. Disconnect accelerator control cable from throttle body. Remove radiator outlet hose from thermostat housing.

WARNING: To avoid personal injury, gear tension relief function of scan tool must be performed prior to disconnecting ABS hydraulic modulator.

7) Disconnect brake booster vacuum hose. Using scan tool, perform gear tension relief sequence. Disconnect brakelines and clips from ABS hydraulic modulator. Remove right-hand body hinge pillar trim panel. Disconnect engine wiring harness connectors. Disconnect forward lamp wiring harness connectors.

8) Disconnect Powertrain Control Module (PCM) and harness, and place on top of engine. Pull engine wiring harness through front dash. Place harness on top of engine. Disconnect positive lead at generator. Raise vehicle. Remove lower shock attachment nuts and bolts from lower control arms. Remove upper control arm ball stud from steering knuckle. Use upper control arm to secure struts.

9) Disconnect electrical connectors to wheel speed sensors at engine frame. Position engine support under engine frame. Remove engine frame and transmission support bolts. Lower engine, transmission and engine frame. Remove transmission. On M/T models, remove clutch housing and clutch. On all models, remove engine mount through-bolts. Remove engine from engine frame.

10) To install, reverse removal procedure. Fill and bleed cooling system. See COOLING SYSTEM BLEEDING. Tighten bolts to specification. See TORQUE SPECIFICATIONS.

Removal & Installation ("W" Body)

1) Remove hood. Disconnect negative battery cable. Release fuel pressure. See FUEL PRESSURE RELEASE. Remove air cleaner. Disconnect fuel lines from fuel rail. Remove coolant recovery bottle, inner fender electrical cover, and fuel injector cover. Disconnect throttle cables.

2) Remove heat shield from exhaust crossover pipe. Remove throttle cable bracket and vacuum line as an assembly. Remove exhaust crossover pipe. Remove engine torque strut from between engine and top of radiator panel. Drain cooling system. Disconnect oil cooler hoses from radiator.

3) Remove serpentine belt. Remove power steering pump. Where necessary to gain clearance, remove washer reservoir, diagonal braces, cooling fans, generator and generator support bracket with ignition coil pack. Raise and support vehicle. Remove flexplate cover. Mark flexplate in relation to torque converter for reassembly reference. Remove torque converter bolts. Remove A/C compressor (leave hoses

attached). Remove starter.

4) Remove bolts securing transaxle mount to engine. Remove nuts securing engine mount to frame. Disconnect oil cooler pipes. Disconnect exhaust pipe from manifold. Lower vehicle. Remove bolts securing transaxle to engine. Separate transaxle from engine. Lift engine out of vehicle.

5) To install, reverse removal procedure. Fill and bleed cooling system. See COOLING SYSTEM BLEEDING. Fill and bleed power steering system. See POWER STEERING BLEEDING. Tighten bolts to specification. See TORQUE SPECIFICATIONS.

INTAKE MANIFOLD (UPPER)

NOTE: On supercharged engine, supercharger acts as an upper intake manifold. See SUPERCHARGER.

Removal

1) Release fuel pressure. See FUEL PRESSURE RELEASE.

Disconnect negative battery cable. Drain cooling system. Remove air intake duct and air cleaner assembly.

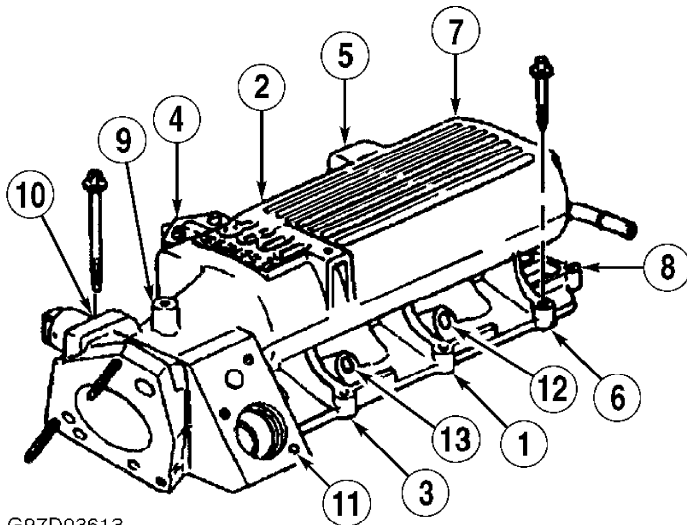
2) Remove spark plug wires and fuel rail. On "F" body, remove EGR outlet pipe from intake manifold. Remove exhaust crossover heat shield and power steering pump bracket. Remove serpentine belt, generator and generator bracket.

3) Remove heater pipes and by-pass hose. Remove throttle cable bracket and if necessary, throttle body. Remove intake manifold bolts, manifold, gaskets and seals.

Installation

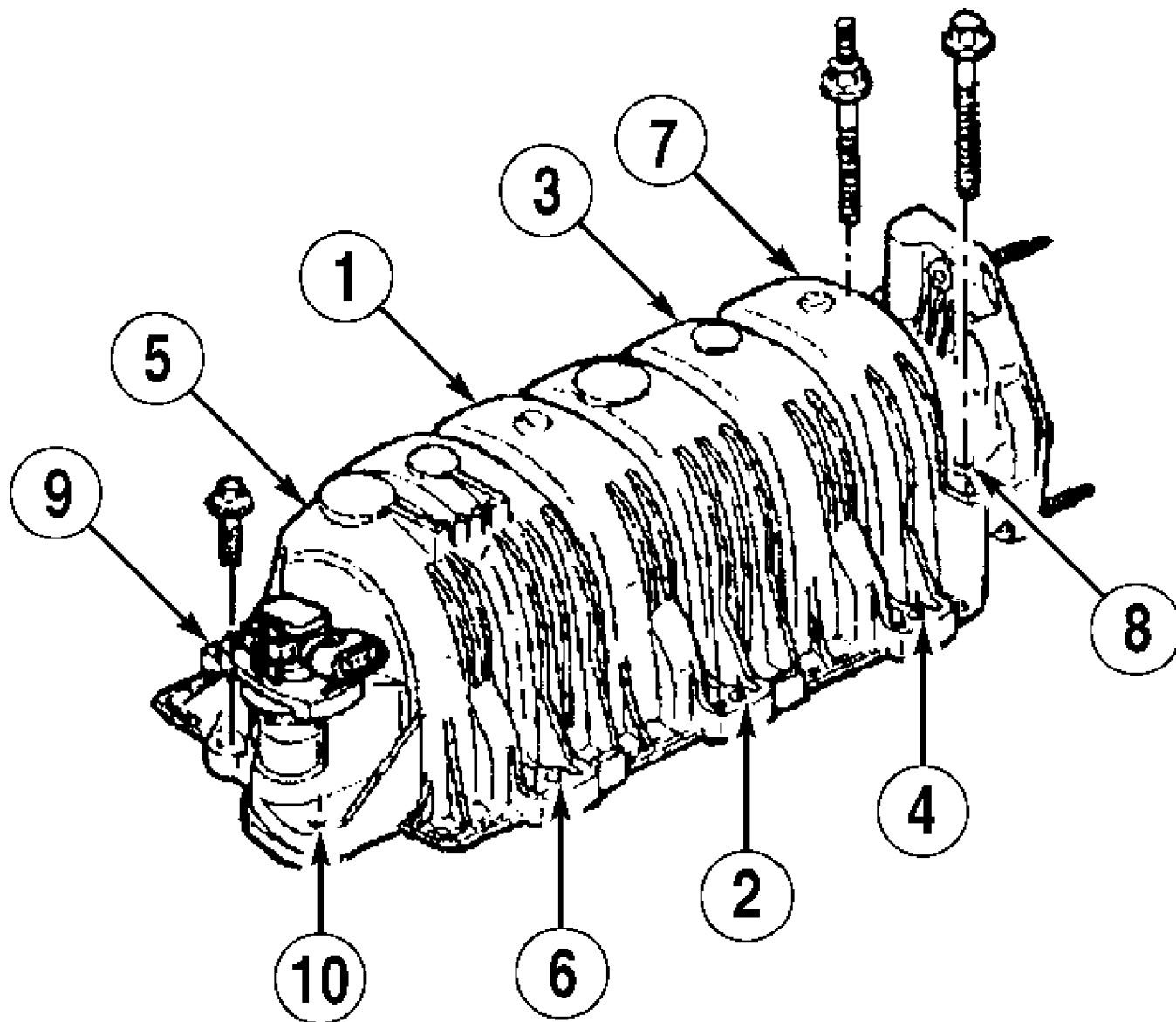
1) Ensure sealing surfaces, bolt threads and bolt holes are clean. Apply Sealant (12345336) at end of seals on cylinder block. Install manifold and gaskets.

2) Coat bolt threads with thread locking compound. Tighten intake manifold bolts in sequence to specification. See Figs. 2 and 3. See TORQUE SPECIFICATIONS. Lubricate fuel rail "O" rings with engine oil. To complete installation, reverse removal procedure. Fill and bleed cooling system. See COOLING SYSTEM BLEEDING.



G97D03613

Fig. 2: Upper Intake Manifold Bolt Tightening Sequence ("F" Body)
Courtesy of General Motors Corp.



G97B03612

Fig. 3: Upper Intake Manifold Bolt Tightening Sequence (Except "F" Body)

Courtesy of General Motors Corp.

INTAKE MANIFOLD (LOWER)

Removal

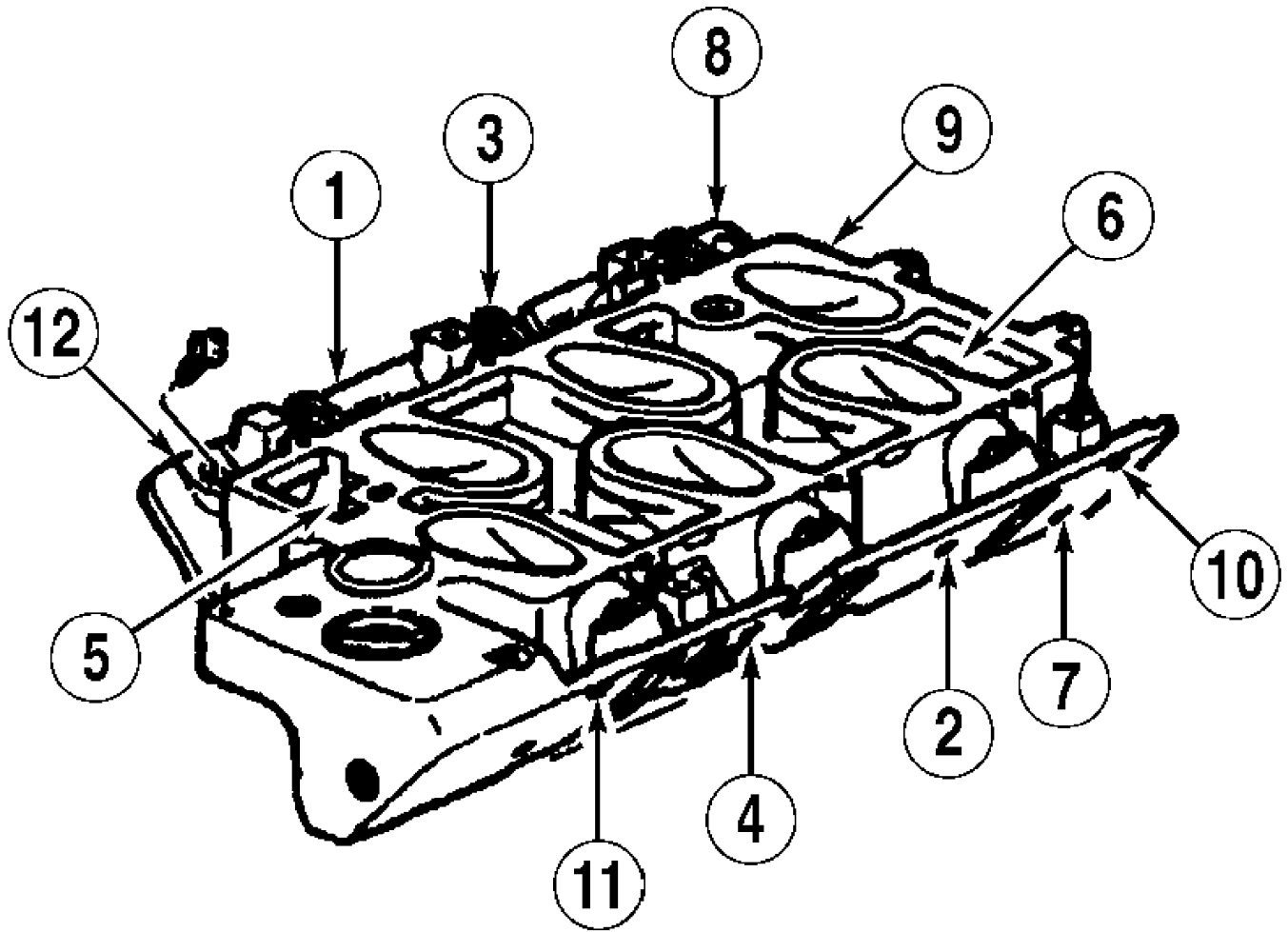
1) Remove upper intake manifold. See INTAKE MANIFOLD (UPPER). Release fuel pressure. See FUEL PRESSURE RELEASE. Disconnect negative battery cable. Drain cooling system. Remove air intake duct and air cleaner assembly.

2) Remove spark plug wires and fuel rail. Remove exhaust crossover heat shield and power steering pump bracket. Remove serpentine belt, generator and generator bracket. Remove cable bracket, heater pipes and by-pass hose. Remove EGR outlet pipe from intake manifold. Remove lower intake manifold bolts. Remove 2 bolts hidden in right front and left rear corners of lower intake manifold. Remove intake manifold, gaskets and seals.

Installation

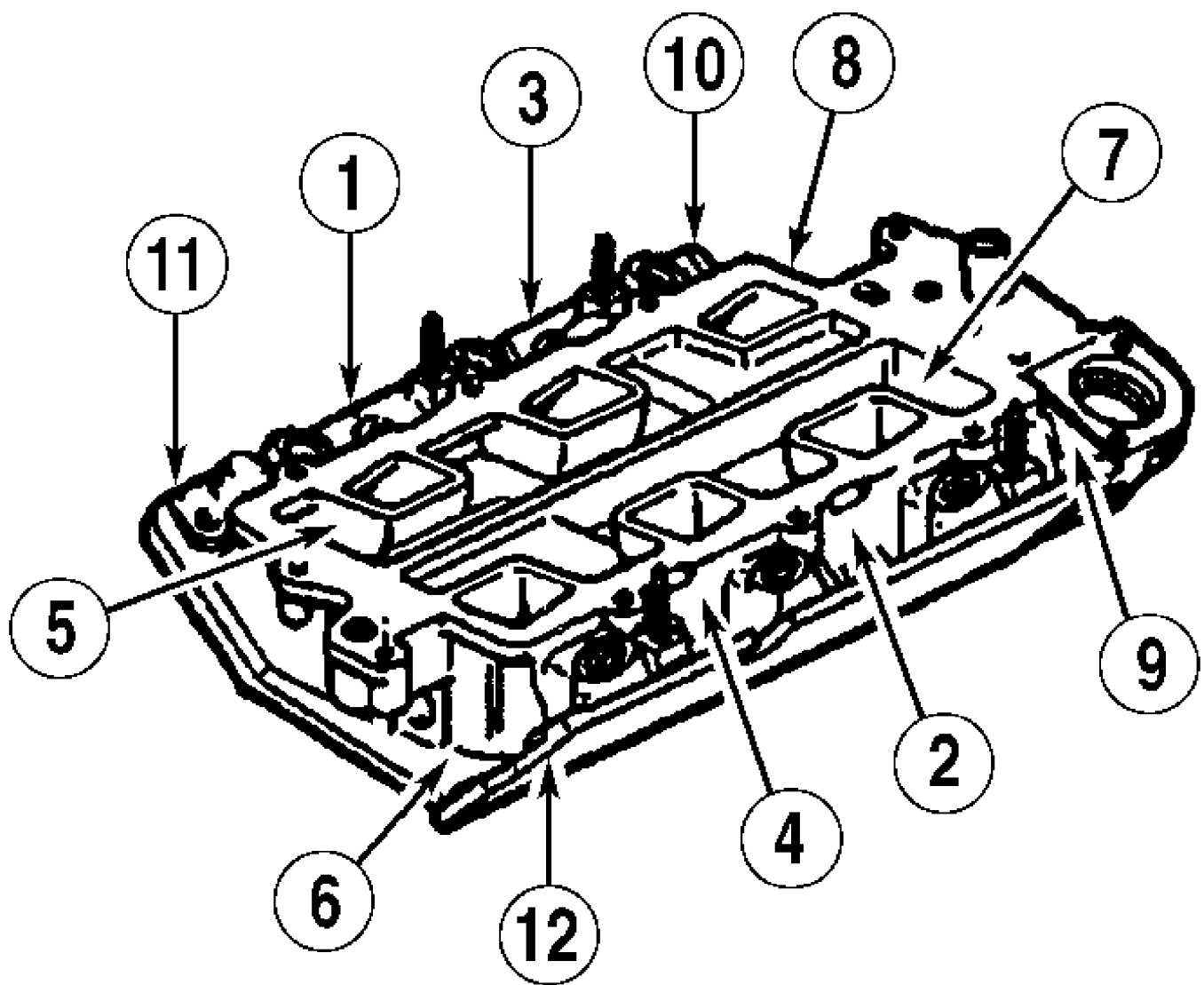
1) Ensure sealing surfaces and bolt threads and holes are clean. Apply Sealant (12345336) at end of seals on cylinder block. Install manifold and gaskets. Coat bolt threads with thread locking compound.

2) Tighten the intake manifold bolts in sequence to specification. See Figs. 4 and 5. See TORQUE SPECIFICATIONS. Lubricate fuel rail "O" rings with engine oil. To complete installation, reverse removal procedure. Fill and bleed engine cooling system. See COOLING SYSTEM BLEEDING.



G97J03611

Fig. 4: Lower Intake Manifold Bolt Tightening Sequence ("F" Body)
Courtesy of General Motors Corp.



G97H03610

Fig. 5: Lower Intake Manifold Bolt Tightening Sequence (Except "F" Body)

Courtesy of General Motors Corp.

EXHAUST MANIFOLD

NOTE: Not all components need to be removed on all models. Remove as necessary for access and clearance.

Removal & Installation (Left)

1) Disconnect negative battery cable. Remove air inlet duct. Disconnect spark plug wires. Remove crossover pipe from manifold. On some models, it may be necessary to remove cooling fan and/or radiator hose for clearance.

2) On all models, remove engine lift hook and manifold heat shield (if equipped). Remove oil dipstick tube and oil dipstick. Remove exhaust manifold bolts, exhaust manifold and gasket. To install, reverse removal procedure using NEW gasket.

Removal & Installation (Right)

NOTE: Whenever right exhaust manifold pipe is removed, inspect EGR outlet pipe for leaks. If any leaks exist, replace EGR adapter.

1) Disconnect negative battery cable. Remove air inlet duct. Remove throttle cable from throttle body. Remove brake booster hose. Remove serpentine belt and power steering pump bracket with hoses attached, and position aside.

2) Drain cooling system. Disconnect spark plug wires and oxygen sensor. Disconnect crossover pipe and exhaust pipe from manifold. Remove transaxle dipstick tube and dipstick.

3) Remove manifold heat shield (if equipped). Remove catalytic converter heat shield and pipe hanger. Remove exhaust pipe-to-manifold nuts. Remove engine lift bracket, exhaust manifold bolts, exhaust manifold and gasket. To install, reverse removal procedure using NEW gasket.

SUPERCHARGER

NOTE: To remove supercharger and lower intake manifold as an assembly, see INTAKE MANIFOLD (LOWER).

Removal

1) Release fuel pressure. See FUEL PRESSURE RELEASE. Disconnect negative battery cable. Partially drain cooling system. Remove accessory drive belt from supercharger pulley. Remove fuel injector shield. Disconnect fuel lines from fuel rail. Disconnect vacuum hoses as necessary.

2) Disconnect electrical connectors from fuel injectors. Remove electrical harness shield. Disconnect electrical harness from front of supercharger. Remove fuel rail and injectors as an assembly. Disconnect electrical connectors as necessary. Remove air intake duct. Disconnect EGR pipe, throttle cable, and cruise control cable from supercharger. Remove boost pressure/vacuum hose block. Remove cable bracket.

3) Remove stud securing tensioner bracket to supercharger (use a stud remover or jam-nut procedure, if necessary). This stud must be removed to allow supercharger to clear lower intake locator pins. Remove throttle body from supercharger. Remove supercharger bolts, supercharger and gasket.

Installation

Install NEW supercharger gasket. DO NOT use sealant on supercharger gasket. Install supercharger. Tighten bolts to specification. See TORQUE SPECIFICATIONS. To complete installation, reverse removal procedure.

CYLINDER HEAD

NOTE: Not all components need to be removed on all models. Remove as necessary for access and clearance.

Removal

1) Remove the upper and lower intake manifold. See INTAKE MANIFOLD (UPPER) and INTAKE MANIFOLD (LOWER). Remove exhaust manifold. See EXHAUST MANIFOLD.

2) On front cylinder head applications, disconnect spark plug wires. Remove engine lift bracket and rocker arm cover. Remove exhaust crossover pipe and cooling fan. Remove generator. Remove ignition coil and bracket. Remove A/C compressor bracket bolt.

3) On rear cylinder head, disconnect spark plug wires. Remove

exhaust crossover pipe. Remove power steering pump with hoses attached, and position aside. Remove heater pipe from front cover housing. Remove transaxle dipstick tube and dipstick.

4) Remove rocker arms, push rods and guide plates. See **ROCKER ARMS & PUSH RODS**. Remove cylinder head bolts, and discard. Remove cylinder head and gasket.

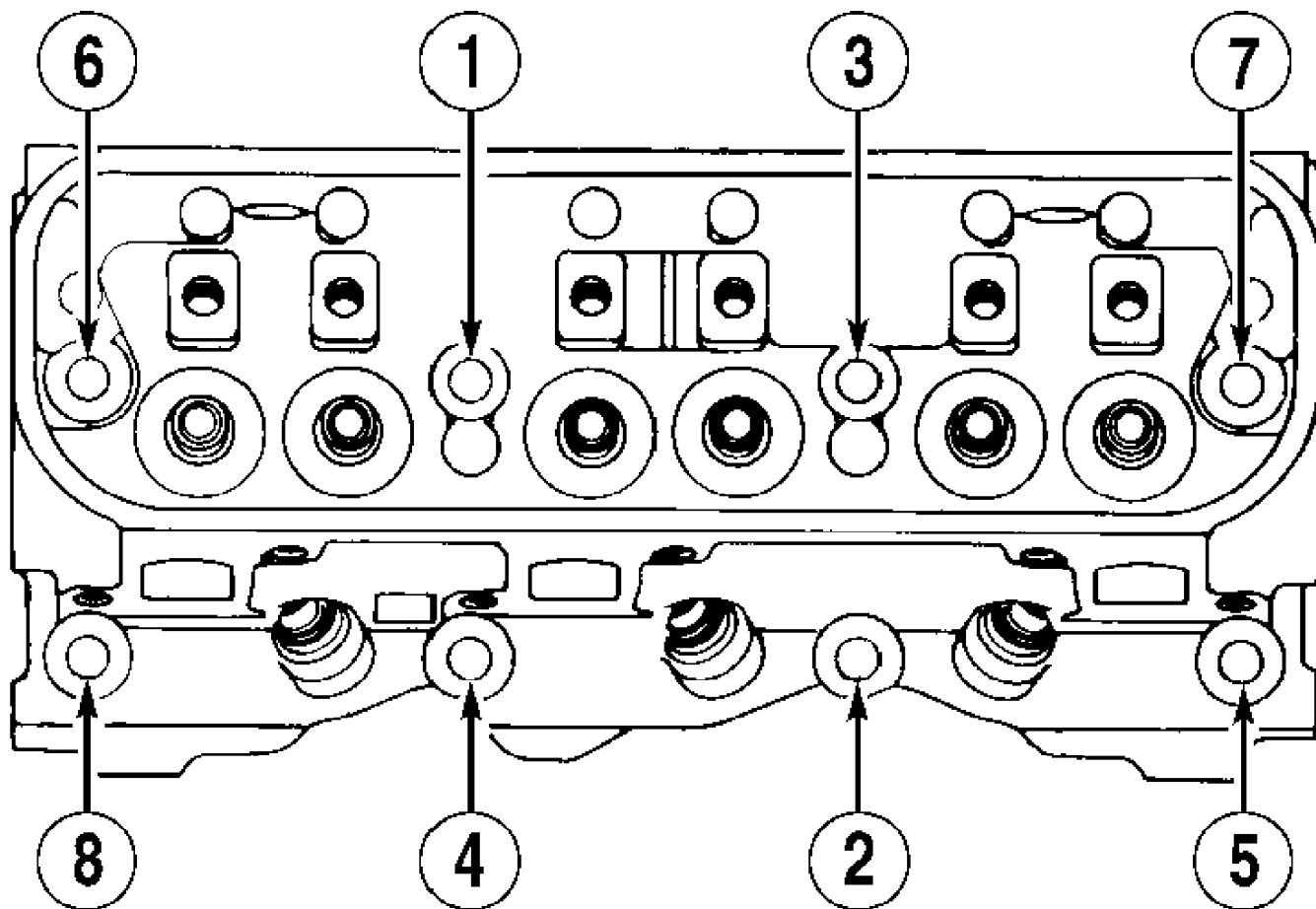
Inspection

Inspect cylinder head for warpage. See **CYLINDER HEAD** under **OVERHAUL**.

Installation

1) Ensure cylinder head bolt threads and cylinder block holes are clean. Ensure all gasket holes align with cylinder block and arrow on gasket is pointing to front of engine. Apply Sealant (1052080) to cylinder head bolt threads.

2) Install **NEW** cylinder head gasket. Tighten bolts to specification in sequence. See **TORQUE SPECIFICATIONS**. See Fig. 6. To complete installation, reverse removal procedure.



G90A04729

Fig. 6: Cylinder Head Bolt Tightening Sequence
Courtesy of General Motors Corp.

FRONT COVER SEAL

Removal

Disconnect negative battery cable. Remove serpentine belt. Raise and support vehicle. Remove right front wheel and inner splash shield. Remove crankshaft pulley/balancer bolt and crankshaft pulley/balancer. Pry seal from front cover and discard seal.

Installation

Coat seal with oil. Using Seal Installer (J 35354) and crankshaft pulley/balancer bolt, install seal. Remove seal installer. Coat sealing surface of crankshaft pulley/balancer with oil. To complete installation, reverse removal procedure.

FRONT COVER

Removal

1) Disconnect negative battery cable. Drain cooling system and crankcase oil. Remove serpentine belt. Remove water pump pulley. Disconnect heater pipes. Disconnect coolant hoses from front cover.

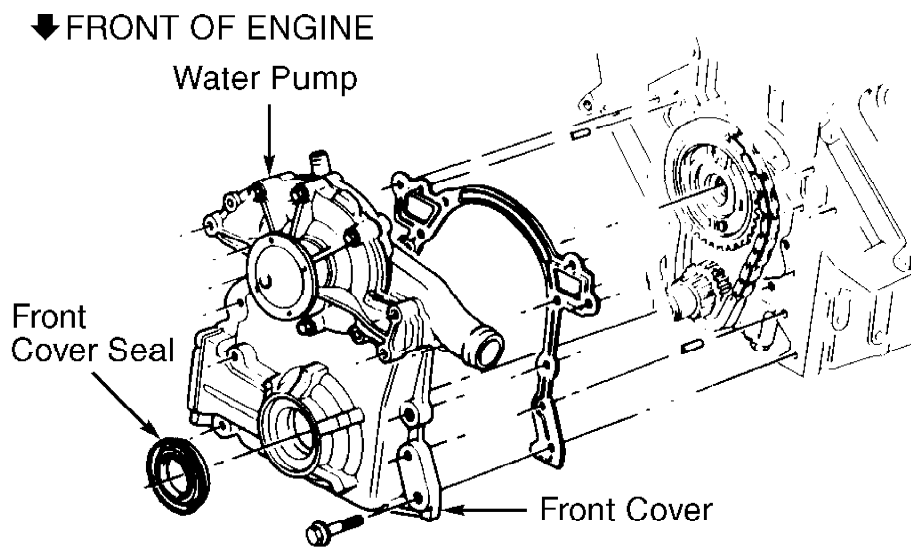
2) Raise and support vehicle. Remove right front wheel and inner splash shield. Remove crankshaft balancer bolt and discard. Remove crankshaft balancer. Disconnect electrical connections at oil pressure sender, camshaft sensor and crankshaft sensor.

3) Remove bolts securing front cover to oil pan. Remove power steering pump (leave hoses attached). Remove remaining bolts, front cover and gasket. See Fig. 7.

Installation

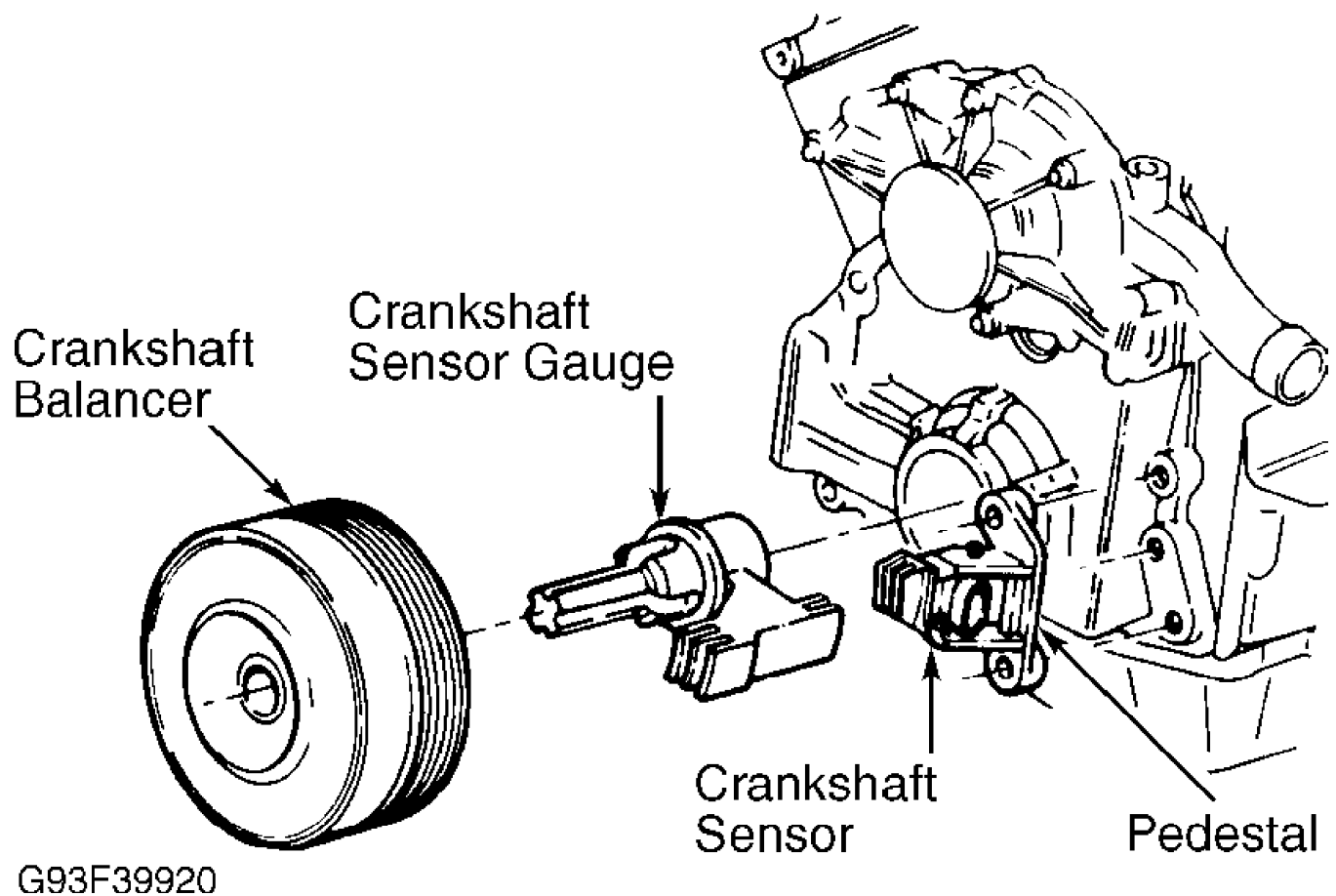
1) Replace timing chain and sprockets if worn. See TIMING CHAIN & SPROCKETS. Install NEW front cover gasket. Coat front cover bolt threads with Sealant (12346004). Install NEW crankshaft balancer bolt. To install, reverse removal procedure. Install crankshaft sensor and shield. See TORQUE SPECIFICATIONS.

2) Install Crankshaft Sensor Gauge (J 37089) onto rear of crankshaft balancer. See Fig. 8. If gauge contacts balancer at any point, replace crankshaft balancer. To complete installation, reverse removal procedure. Coat sealing surface of crankshaft balancer and seal with oil.



G93F39912

Fig. 7: Removing Front Cover
Courtesy of General Motors Corp.



G93F39920

Fig. 8: Checking Crankshaft Balancer Clearance
 Courtesy of General Motors Corp.

TIMING CHAIN & SPROCKETS

Removal

1) Remove front cover. See FRONT COVER. Inspect timing chain and sprockets for wear. Timing chain in-and-out movement should not exceed 1" (25.4 mm). Replace components as necessary.

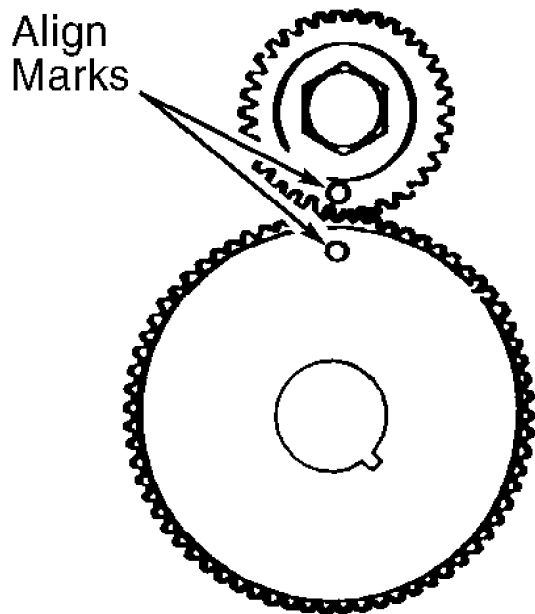
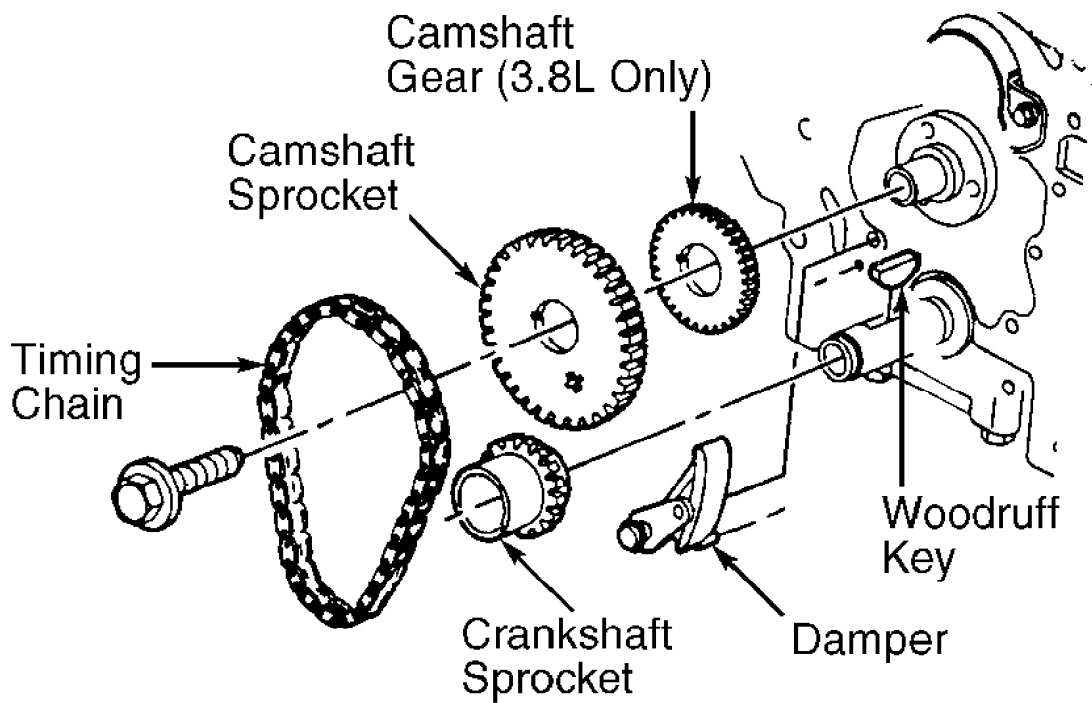
2) Rotate crankshaft to align timing marks on camshaft and crankshaft sprockets. See Fig. 9. Remove timing chain damper assembly. Remove camshaft sprocket bolts, and discard. Remove camshaft sprocket and timing chain. Remove crankshaft sprocket.

NOTE: If balance shaft has been moved, ensure alignment is correct before installing timing chain and sprockets. See BALANCE SHAFT.

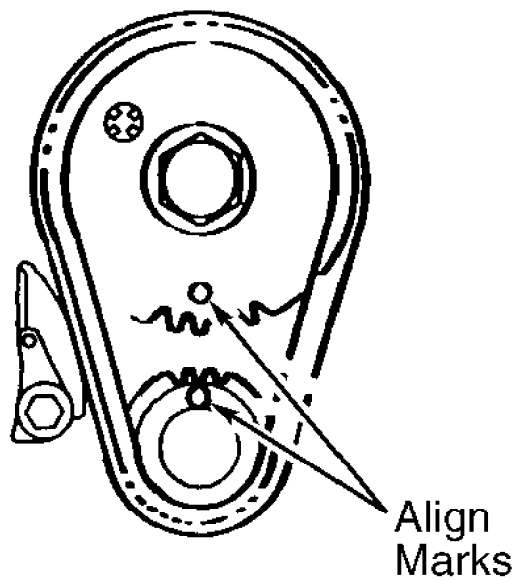
Installation

1) If engine has been rotated, rotate the crankshaft so No. 1 cylinder is at TDC. Temporarily install camshaft sprocket. Rotate camshaft sprocket so timing mark points downward.

2) Install timing chain on camshaft and crankshaft sprockets. Align timing marks. See Fig. 9. Install NEW camshaft sprocket bolts. Install timing chain damper. Rotate engine 2 revolutions. Ensure timing marks are aligned. To complete installation, reverse removal procedure.



BALANCE SHAFT
TO CAMSHAFT
(3.8L ONLY)



CAMSHAFT TO
CRANKSHAFT
(ALL MODELS)

G93J39932

Fig. 9: Exploded View Of Timing Chain & Sprockets
Courtesy of General Motors Corp.

ROCKER ARMS & PUSH RODS

NOTE: Not all components need to be removed on all models. Remove as necessary for access and clearance.

Removal

1) Disconnect negative battery cable. Remove serpentine belt.

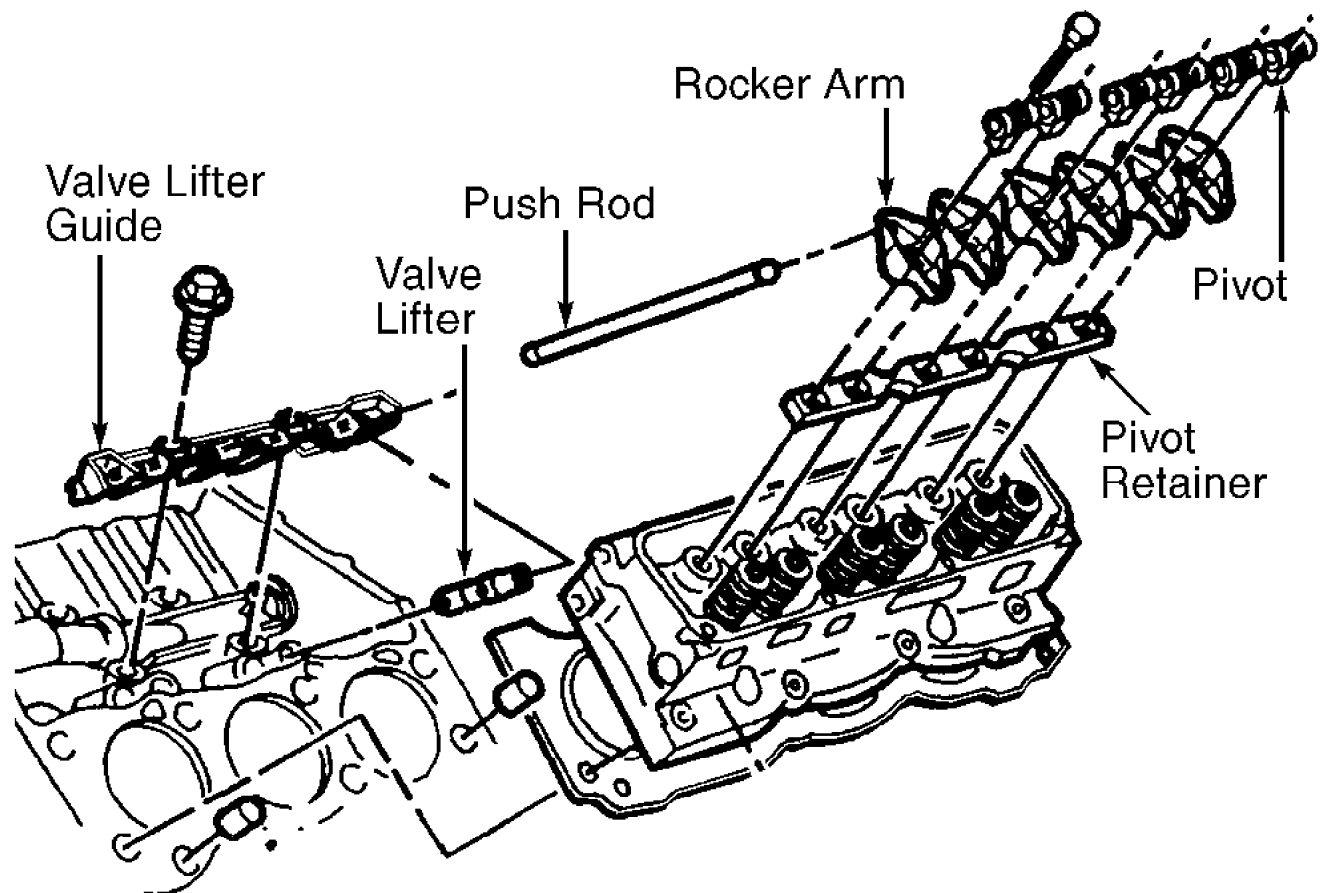
To remove left rocker arm cover, remove generator bracket and spark plug wires. Disconnect torque strut (if equipped) at radiator support. Remove torque strut bracket bolts at manifolds. Remove engine lift bracket.

2) To remove right rocker arm cover, loosen power steering pump bolts, and move pump forward with hoses still attached. Remove power steering pump brackets. Remove spark plug wires.

3) On either side, remove rocker arm cover. Remove and discard rocker arm pivot bolts. Mark rocker arm component locations for reassembly reference. Remove rocker arms and components. See Fig. 10.

Installation

To install, reverse removal procedure. Apply Prelube (12345501) or equivalent, to any bearings and friction surfaces. Using NEW bolts, coat rocker arm bolt threads with thread Threadlock (12345493). Apply thread sealant to rocker arm cover bolt threads.



G93B39942

Fig. 10: Exploded View Of Rocker Arm & Components
Courtesy of General Motors Corp.

VALVE LIFTERS

Removal

Remove upper and lower intake manifold. See INTAKE MANIFOLD (UPPER) and INTAKE MANIFOLD (LOWER). Remove rocker arms and push rods. See ROCKER ARMS & PUSH RODS. Remove valve lifter guide and valve lifters. See Fig. 10. Mark component locations for reassembly reference.

Installation

Coat valve lifters with Engine Prelube (1234550). Install components in original location. To complete installation, reverse removal procedure.

CAMSHAFT

Removal

1) Disconnect negative battery cable. Remove engine. See ENGINE. Remove upper and lower intake manifold. See INTAKE MANIFOLD (UPPER) and INTAKE MANIFOLD (LOWER). Remove rocker arms and push rods. See ROCKER ARMS & PUSH RODS.
2) Remove valve lifters. Remove timing chain and sprockets. See TIMING CHAIN & SPROCKETS. Remove camshaft thrust plate and camshaft. Install one 1/2-20 x 6.0" bolt into camshaft front bolt hole. Carefully rotate and pull camshaft out of bearings.

Inspection

Measure camshaft journal diameter, lobe lift and oil clearance. Replace components if not within specification. See CAMSHAFT table under ENGINE SPECIFICATIONS.

Installation

Install camshaft bearings (if removed). Ensure oil holes are aligned. Coat camshaft journals and lobes with Lubricant (12345507). Install camshaft. Install components in original locations. Apply Sealant (1052914) to camshaft rear plug. To complete installation, reverse removal procedure. Ensure timing marks are aligned.

BALANCE SHAFT

Removal

1) Disconnect negative battery cable. Remove engine. See ENGINE. Remove flexplate/flywheel. Remove upper and lower intake manifolds. See INTAKE MANIFOLD (UPPER) and INTAKE MANIFOLD (LOWER). Remove lifter guide. See Fig. 10.
2) Remove front cover. See FRONT COVER. Remove and discard balance shaft gear bolt. See Fig. 11. Remove camshaft sprocket and timing chain. See TIMING CHAIN & SPROCKETS. Remove balance shaft retainer and gear. See Fig. 11. Using Slide Hammer (J 6125-1B), remove balance shaft from front of engine.

NOTE: Balance shaft and bearings are serviced as a complete assembly only. Use specified installation tools to prevent balance shaft damage.

3) Remove balance shaft plug from rear of cylinder block. Note direction of rear bearing installation. Using Balance Shaft Bearing Remover/Installer (J 36995), remove bearings from block. See Fig. 12.

Inspection

Replace components if damaged or not within specification. See BALANCE SHAFT SPECIFICATIONS table.

Installation

1) Lubricate balance shaft bearings with engine oil. Install NEW front and rear bearings using Balance Shaft Bearing Remover/Installer. On rear bearing, be sure rolled edge faces inward, toward engine, and manufacturer's marking faces flywheel side of engine. See Fig. 12.

2) Using Balance Shaft Installer (J 36996), install balance shaft. Temporarily install balance shaft retainer and bolts. Install balance shaft gear. Apply Threadlock (12345493) to NEW gear bolt, and install bolt. Tighten gear bolt to specification. See TORQUE SPECIFICATIONS.

3) Install balance shaft rear plug. Using dial indicator, measure balance shaft end play and radial clearance at front and rear of balance shaft. See Fig. 13. Replace components if measurements are not within specification. See BALANCE SHAFT SPECIFICATIONS table.

4) Rotate camshaft so timing mark is pointing downward when sprocket is installed. With camshaft sprocket and gear removed, rotate balance shaft so timing mark on gear is pointing downward.

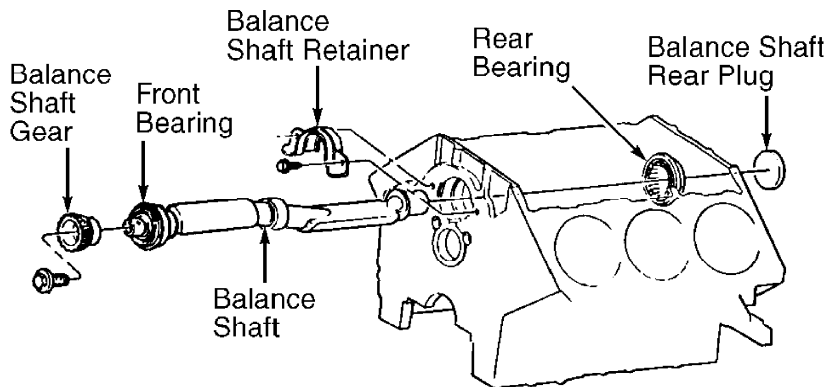
5) Rotate balance shaft to align timing marks on camshaft gear and balance shaft gear, and install camshaft gear. See Fig. 9. Rotate crankshaft so No. 1 piston is at TDC. Install timing chain and sprocket. Ensure timing marks are aligned. See Fig. 9.

6) Using dial indicator, measure gear lash at 4 places, every 1/4 turn. Gear lash should be within specification. See BALANCE SHAFT SPECIFICATIONS table.

7) If measurements are within specification, tighten balance shaft retainer bolts to specification. See TORQUE SPECIFICATIONS. To complete installation, reverse removal procedure.

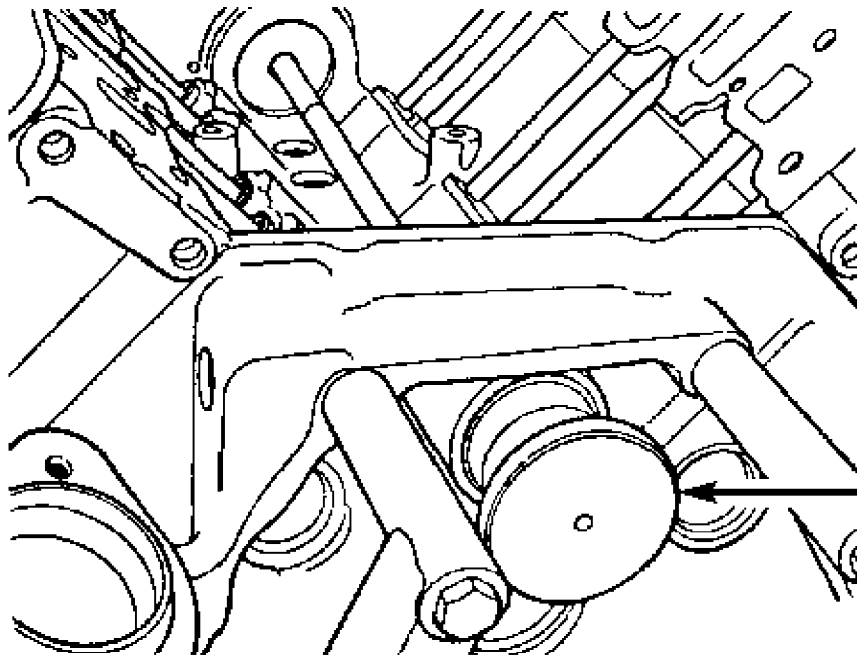
BALANCE SHAFT SPECIFICATIONS

Application	In. (mm)
Bearing Bore I.D.	
Front	2.0462-2.0472 (51.973-51.999)
Rear	1.8735-1.8745 (47.584-47.612)
End Play	0-.0067 (0-.171)
Gear Lash002-.005 (.05-.13)
Radial Clearance	
Front	0-.0010 (0-.025)
Rear0005-.0043 (.012-.109)



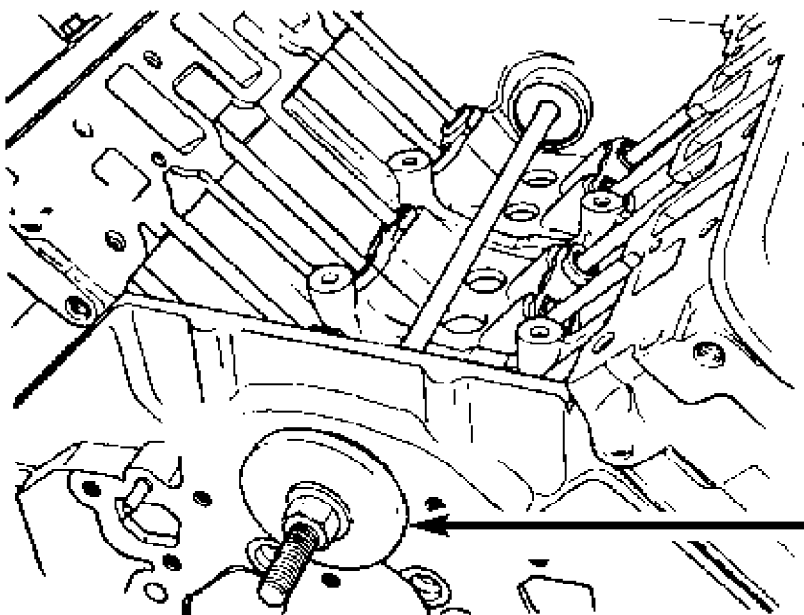
G95A13227

Fig. 11: Identifying Balance Shaft & Components
 Courtesy of General Motors Corp.



Rear Bearing
Installer
(J-36995-1)

INSTALLATION

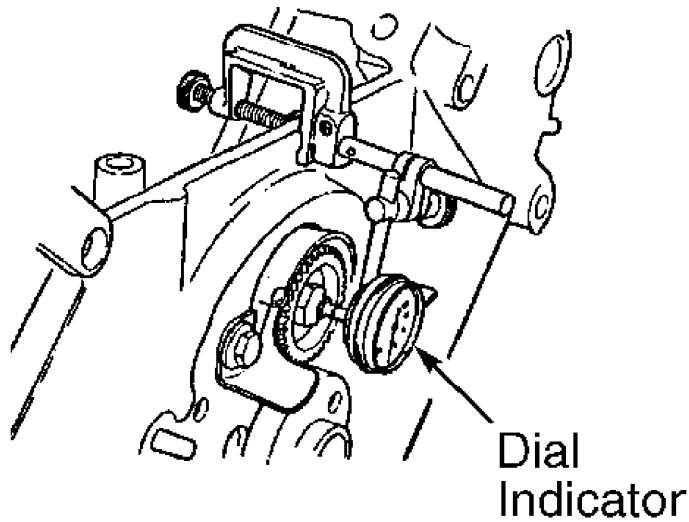


Rear Bearing
Remover
(J-36995-5)

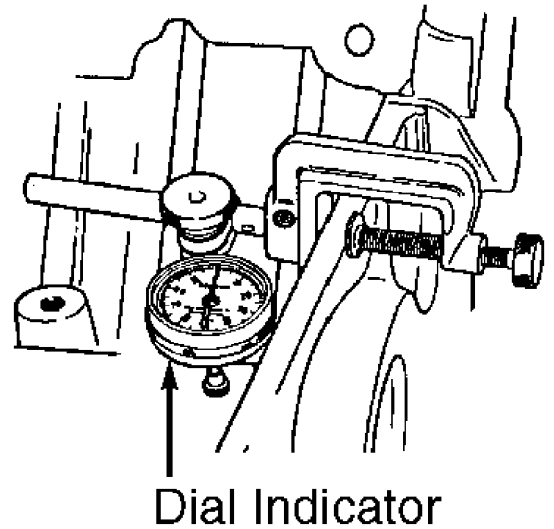
REMOVAL

G95C13229

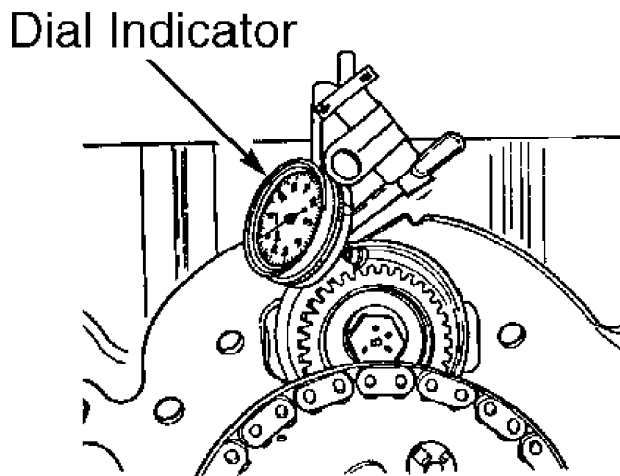
Fig. 12: Replacing Balance Shaft Rear Bearing
Courtesy of General Motors Corp.



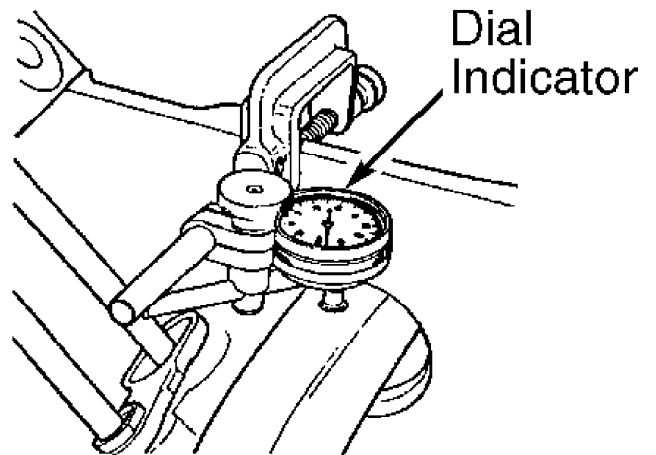
MEASURING END PLAY



MEASURING FRONT RADIAL CLEARANCE



MEASURING GEAR LASH



MEASURING REAR RADIAL CLEARANCE

G95G13231

Fig. 13: Measuring Balance Shaft Clearances
 Courtesy of General Motors Corp.

CRANKSHAFT REAR OIL SEAL

Removal & Installation

NOTE: If rear oil seal housing has been removed, see CRANKSHAFT REAR OIL SEAL HOUSING before installing new seal.

Remove transaxle. For A/T, see appropriate TRANSMISSION REMOVAL & INSTALLATION article in TRANSMISSION SERVICING. For M/T, see appropriate article in CLUTCHES. Remove flexplate/flywheel. Pry seal

from bore with a screwdriver (DO NOT damage crankshaft or seal bore). To install, apply engine oil to new seal. Press seal into bore using Seal Installer (J-38196). To complete installation, reverse removal procedure.

CRANKSHAFT REAR OIL SEAL HOUSING

CAUTION: If seal housing bore is not centered in relation to crankshaft flange, seal may leak.

Removal

Remove transaxle. For A/T, see appropriate TRANSMISSION REMOVAL & INSTALLATION article in TRANSMISSION SERVICING. For M/T, see appropriate article in CLUTCHES. Remove flexplate/flywheel. Remove oil pan. See OIL PAN. Loosen seal housing bolts (bolts should stay with housing). Remove seal housing. Remove seal from housing.

Installation

1) DO NOT install seal into housing at this time. Clean gasket surfaces of housing and block. Install NEW gasket onto housing bolts to hold it in place. Install seal housing. Finger-tighten bolts so housing can be aligned (centered). Ensure gasket does not protrude beyond oil pan gasket surface.

2) Apply a thin film of engine oil to inner and outer surfaces of Seal Housing Aligner (J 41349). Install seal housing aligner onto crankshaft, twisting and turning it as necessary to aid installation.

3) Lay a straightedge across cylinder block oil pan flange and seal housing flange. Using a feeler gauge, ensure there is no more than .004" (.10 mm) step (high or low) on either side. Rotate housing if necessary. If specification cannot be met, replace housing.

4) Apply engine oil to NEW seal. Using Seal Installer (J 38196), press seal into bore. To complete installation, reverse removal procedure.

WATER PUMP

NOTE: Not all components need to be removed on all models. Remove as necessary for access and clearance.

Removal & Installation ("F" & "W" Bodies)

1) Disconnect negative battery cable. Drain cooling system. Remove accessory electrical junction block, and position aside. Loosen water pump pulley bolts. Remove drive belt. Remove water pump pulley bolts and pulley.

2) Remove power steering pump mounting bolts, and position aside. Remove water pump bolts, water pump and gasket. To install, reverse removal procedure using NEW gasket. Fill and bleed cooling system. See COOLING SYSTEM BLEEDING.

Removal & Installation (Supercharged "C" & "H" Bodies)

1) Disconnect negative battery cable. Remove A/C compressor splash shield. Loosen water pump pulley bolts. Drain cooling system. Remove drive belts. Remove coil pack. Remove supercharger belt tensioner.

2) Remove engine mount. Remove power steering pump. Remove engine mount bracket. Remove idler pulley. Remove water pump pulley. Remove water pump and gasket. To install, reverse removal procedure using NEW gasket. Fill and bleed the engine cooling system. See COOLING SYSTEM BLEEDING.

Removal & Installation (Non Supercharged "C" & "H" Bodies)

Drain cooling system. Loosen water pump pulley bolts. Remove

drive belt. Remove water pump pulley bolts and pulley. Remove water pump and gasket. To install, reverse removal procedure using NEW gasket. Fill and bleed cooling system. See COOLING SYSTEM BLEEDING.

OIL PAN

NOTE: Not all components need to be removed on all models. Remove as necessary for access and clearance.

Removal & Installation

1) Disconnect negative battery cable. Remove engine torque strut. Raise and support vehicle. Drain crankcase. Disconnect oil level sensor electrical connector. Remove oil level sensor and oil filter. Disconnect front exhaust pipe from manifold. Remove right front wheel and splash shield.

2) Disconnect oil cooler pipes. Disconnect A/C compressor electrical connector. Remove A/C compressor, and position aside. Disconnect engine mounts from frame.

3) Remove flexplate access cover. Use transmission jack at transaxle to raise engine. Remove oil pan bolts and oil pan. To install, reverse removal procedure. Install oil level sensor after oil pan is installed. Tighten retaining bolts to specification. See TORQUE SPECIFICATIONS.

OVERHAUL

NOTE: For repair procedures not covered in this article, see ENGINE OVERHAUL PROCEDURES article in GENERAL INFORMATION.

CYLINDER HEAD

Inspection

1) Inspect cylinder head for warpage at deck and manifold surfaces. Resurface cylinder head if warpage exceeds specification. See CYLINDER HEAD table under ENGINE SPECIFICATIONS.

2) After resurfacing, use a depth micrometer to measure distance from deck surface to 3 cast pads. See Fig. 14. Replace cylinder head if dimension is less than .044" (1.12 mm). New cylinder head dimension should be .054-.066" (1.37-1.68 mm).

Valve Seats

No replacement procedure is given by manufacturer.

Valve Guides

If valve stem oil clearance is not within specification, ream valve guides for oversize valve stem. See CYLINDER HEAD table under ENGINE SPECIFICATIONS.

Valve Seat Correction Angles

After grinding, if seat width is too wide, use 20-degree or 70-degree stone to reduce seat width. A 20-degree stone will lower seat. A 70-degree stone will raise seat.

Valve Spring Installed Height

1) Install valve, valve retainer and keepers. Pull upward on valve, and measure height from top of spring seat to spring side of valve retainer. See Fig. 15.

2) Ensure spring installed height is within specification. See VALVES & VALVE SPRINGS table under ENGINE SPECIFICATIONS. If measurement exceeds specification, add shims under valve spring to obtain correct height.

Valve Stem Height

With valve installed in cylinder head (closed position), use steel ruler to measure distance from spring seat to valve tip. Distance should be 1.935-1.975" (49.15-50.17 mm).

Valve Stem Oil Seals

Oversize valve stem oil seals are used for valves with oversize stems. Intake and exhaust valve stem oil seals are different. Install oil seal according to part number and package instructions.

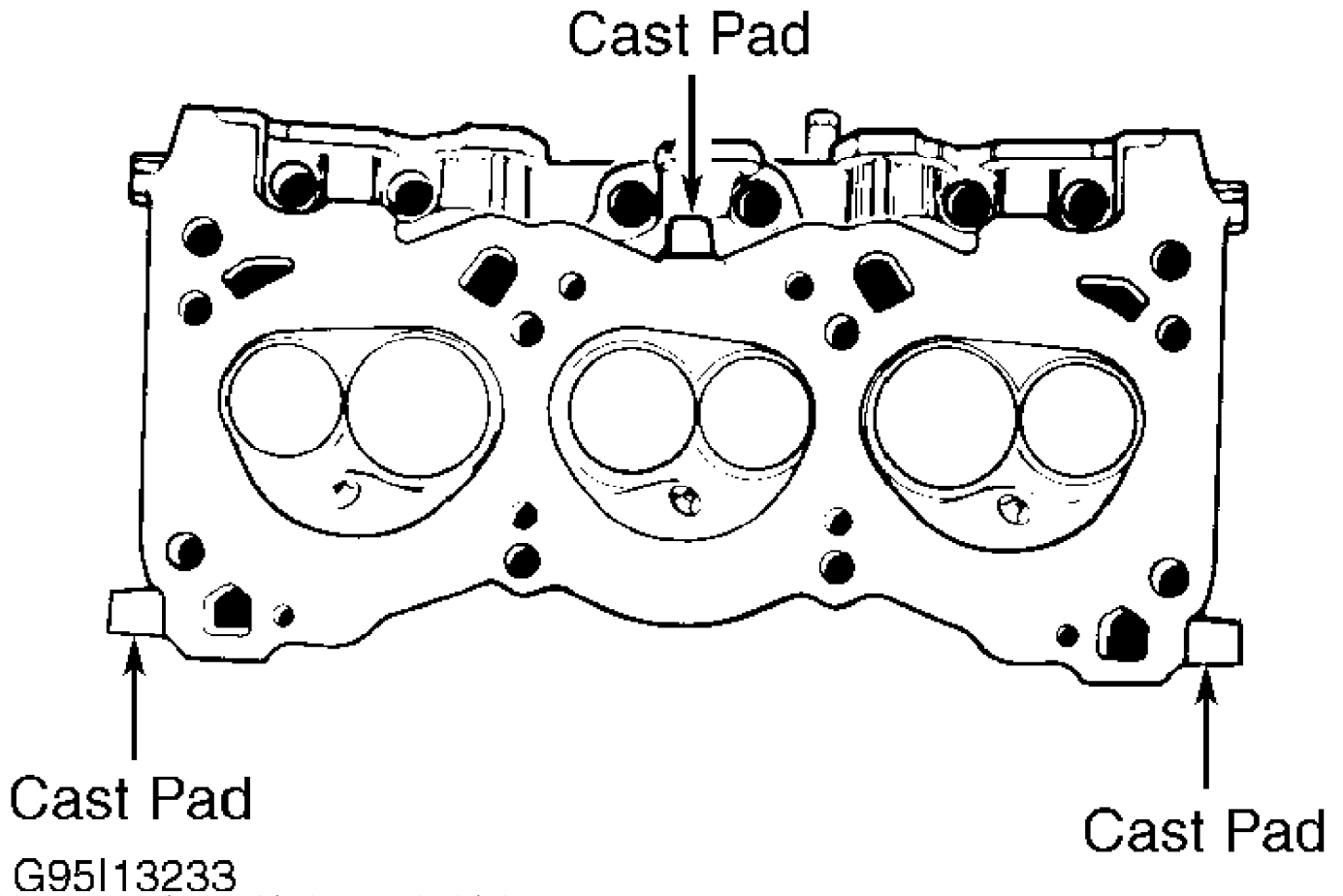


Fig. 14: Measuring Cylinder Head Thickness
Courtesy of General Motors Corp.

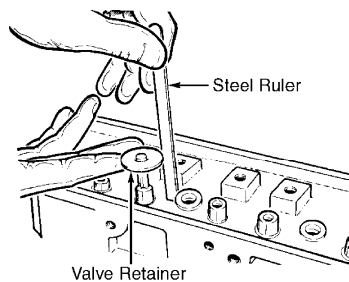


Fig. 15: Measuring Valve Spring Installed Height
Courtesy of General Motors Corp.

CYLINDER BLOCK ASSEMBLY

Cylinder Block

Using feeler gauge and straightedge, inspect deck surface for warpage. Replace cylinder block if more than .010" (.25 mm) material is removed from deck surface.

Cylinder Block Flange Runout

1) With engine removed and crankshaft installed, measure cylinder block flange runout. Mount dial indicator gauge plate flat against crankshaft flange. Place dial indicator stem on lower left transmission bolt boss (flat area around bolt hole). Adjust dial indicator to zero.

2) Observe and record readings obtained on all bolt hole bosses. Measurements should not vary more than .010" (.25 mm). If readings exceed specification, check crankshaft flange runout. See CRANKSHAFT FLANGE RUNOUT.

Piston Ring Installation

Install piston rings with identification mark toward top of piston, and ring gaps properly spaced. See Fig. 16.

Piston & Rod Assembly

Piston can be installed on connecting rod in either direction. Install piston and connecting rod onto crankshaft, with arrow on top of piston and/or ridge(s) on bottom of pin boss facing toward front of engine.

Fitting Pistons

NOTE: DO NOT machine oversize pistons, or engine balance will be affected.

Piston diameter should be measured 1.73" (44 mm) from top of piston.

Crankshaft & Main Bearings

1) Main bearing caps are a press fit. All main caps incorporate side bolts except the rear. Remove side bolts. Remove main cap bolts. Using Slide Hammer (J 6125-B) and Main Bearing Cap Puller (J 41348), carefully remove caps for service. Install main bearings and main caps. Hand tighten main bearing cap bolts.

NOTE: Misalignment of No. 4 main bearing cap toward transaxle can cause interference with the flywheel-to-converter bolts.

2) Tighten main bearing cap bolts to 52 ft. lbs. (70 N.m) to fully seat crankshaft. Loosen main bearing cap bolts 360 degrees. Tighten bolts to specifications. See TORQUE SPECIFICATIONS. Using wooden mallet, carefully tap crankshaft forward and then backward to seat thrust bearing.

NOTE: DO NOT shim, scrape or file bearing inserts. DO NOT touch bearing surface with fingers.

Rod Bearings

1) Ensure bearing cap bolt holes and mating surfaces are clean and dry. Use connecting rod stud protector on rod cap bolts. Install bearing inserts in connecting rod and cap. Lubricate bearings and crank pin.

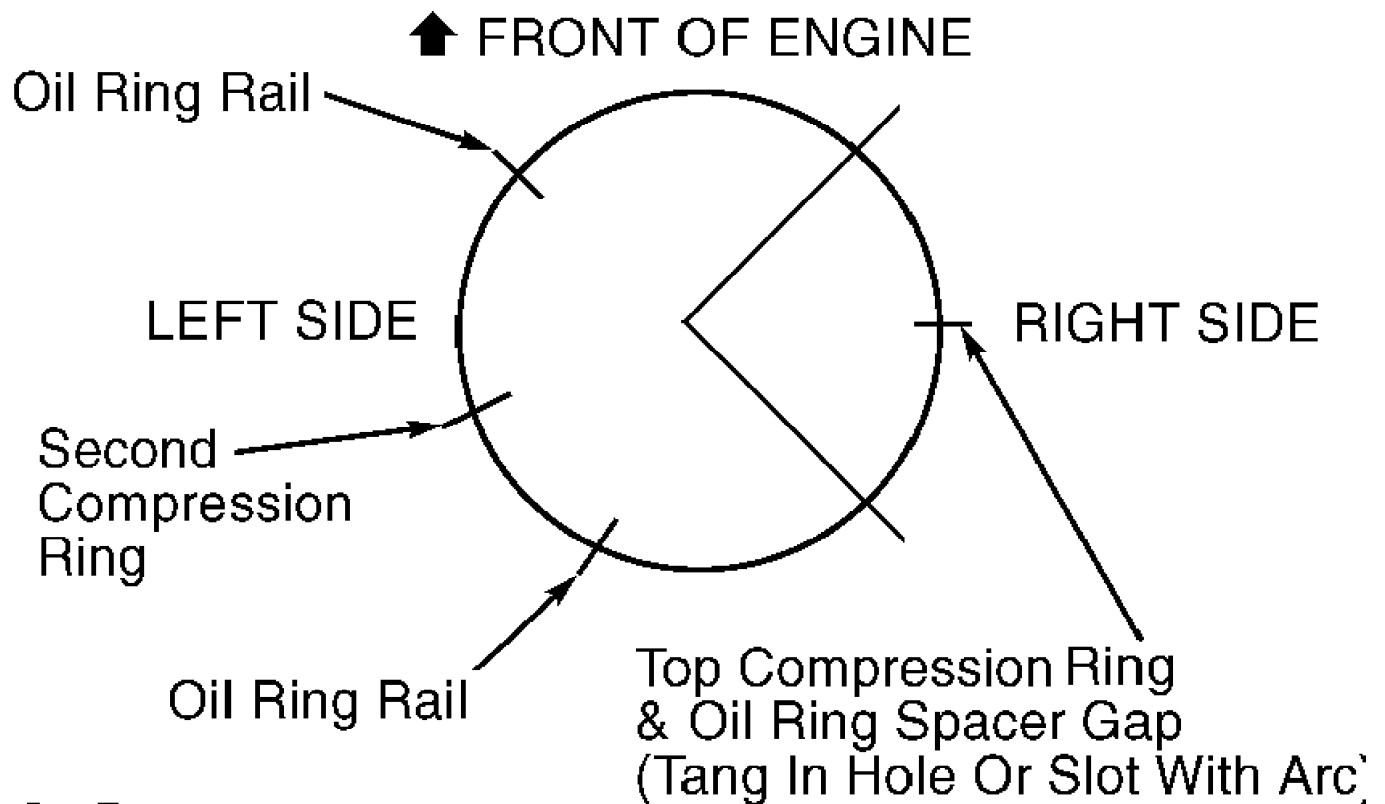
2) Replace both upper and lower bearings as a set. Install bearing cap. Tighten NEW rod bearing cap bolts to 20 ft. lbs. (27 N.m). Tighten bolts an additional 50 degrees using Torque Angle Meter (J 36660).

Crankshaft Flange Runout

1) With engine removed and crankshaft installed, or with crankshaft mounted on "V" blocks, measure crankshaft flange runout. Mount dial indicator and place dial indicator stem on crankshaft flange. Adjust dial indicator to zero.

2) Mark reference point on crankshaft flange. Ensure crankshaft is thrust forward so end float will not affect readings. Turn crankshaft 360 degrees.

3) Observe and record readings. Reading should not vary more than .002" (.05 mm). Replace crankshaft if runout exceeds specification.



G95E13221

Fig. 16: Positioning Piston Ring Gaps
Courtesy of General Motors Corp.

ENGINE OILING

LUBRICATION SYSTEM

The crankshaft driven, gear-type oil pump provides pressurized lubrication to the main gallery. See Fig. 17. Oil pump and pressure regulator valve are located in front cover.

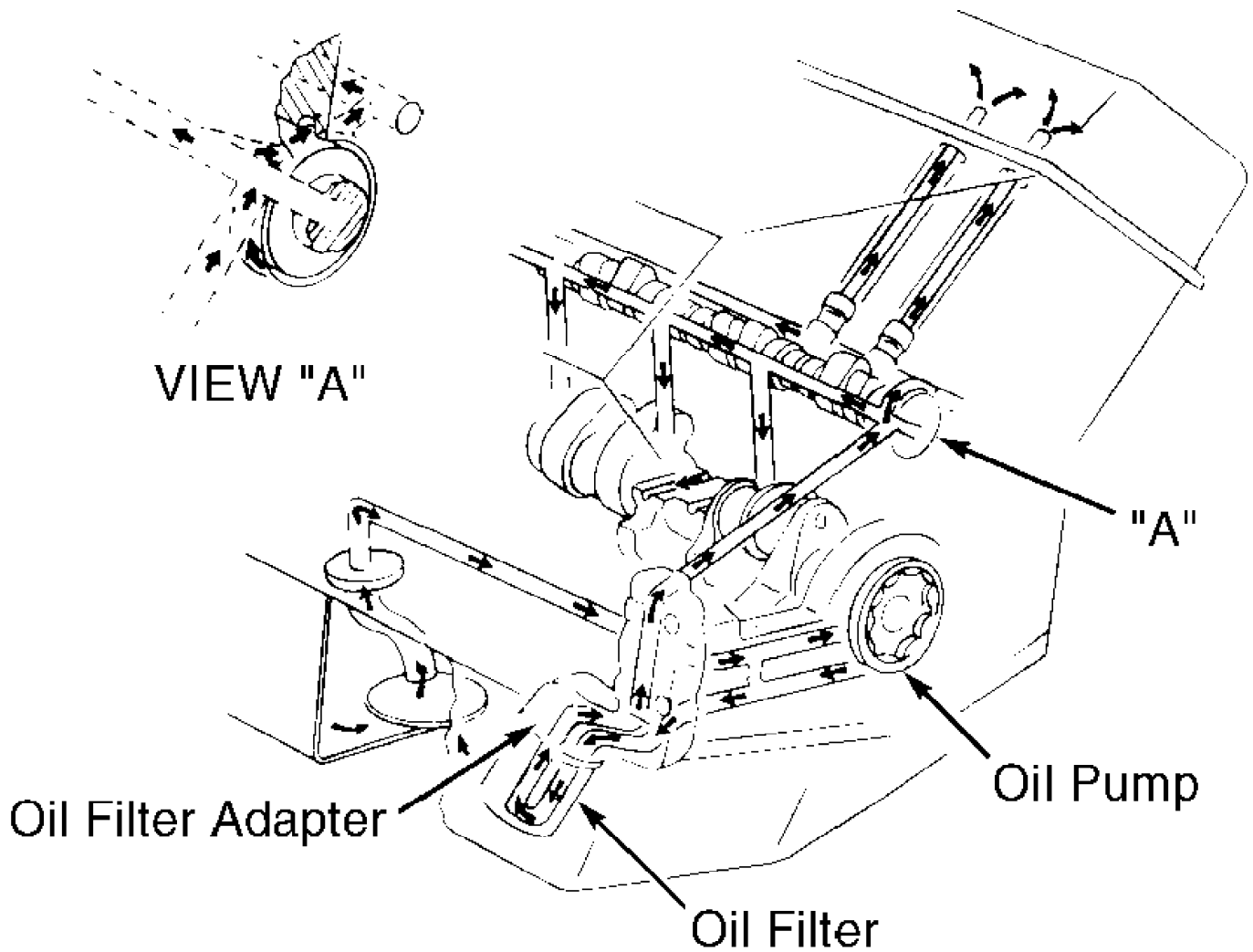
Crankcase Capacity

Engine oil capacity is approximately 4 qts. (3.7L) without filter change. After changing filter, recheck oil level and add oil as necessary.

Normal Oil Pressure

With engine at normal operating temperature, oil pressure

(with 5W-30 or 10W-30 engine oil) should be 60 psi (4.2 kg/cm²) at 1850 RPM.



G95C13237

Fig. 17: Cross-Sectional View Of Engine Oiling System
Courtesy of General Motors Corp.

OIL PUMP

Removal & Disassembly

Remove front cover. See FRONT COVER under REMOVAL & INSTALLATION. Remove oil filter adapter, gasket, pressure regulator and valve from front cover. Remove pump cover bolts, cover and gears from front cover.

Inspection

1) Inspect components for damage. Measure gear end clearance. Measure housing gear pocket depth and diameter. Measure tip clearance between gears. Measure outer gear-to-housing clearance.

2) Check clearance between pressure regulator valve and bore. Replace components or pump assembly if measurements are not within specification. See OIL PUMP SPECIFICATIONS table.

Reassembly & Installation

To reassemble, reverse disassembly procedure. Lubricate gears, and fill cavities with petroleum jelly. Install pump cover. To install, reverse removal procedure. Tighten bolts to specification. See TORQUE SPECIFICATIONS.

OIL PUMP SPECIFICATIONS

Application	In. (mm)
Gear End Clearance	.0010-.0035 (.025-.089)
Gear Tip Clearance	.006 (.15)
Housing Gear Pocket	
Depth	.4610-.4625 (11.71-11.75)
Diameter	3.508-3.512 (89.10-89.20)
Outer Gear-To-Housing Clearance	.008-.015 (.20-.38)
Pressure Regulator Valve-To-Bore Clearance	.0015-.0030 (.038-.076)

TORQUE SPECIFICATIONS

TORQUE SPECIFICATIONS

Application	Ft. Lbs. (N.m)
Balance Shaft Gear Bolt (1)	
Step 1	16 (22)
Step 2	Additional 70 Degrees
Balance Shaft Retainer Bolt	22 (30)
Camshaft Sprocket Bolt	
Step 1	74 (100)
Step 2	Additional 90 Degrees
Connecting Rod Bolt	
Step 1	20 (27)
Step 2	Additional 50 Degrees
Crankshaft Pulley/Balancer Bolt	
Step 1	110 (149)
Step 2	
"C", "H", & "W" Bodies	Additional 76 Degrees
"F" Body	Additional 114 Degrees
Cylinder Head Bolts (2)	
Step 1	37 (50)
Step 2	
2000	Additional 130 Degrees
2001	Additional 120 Degrees
Step 3 (2000 "C", "H", & "W" Bodies 4 Center Bolts)	Additional 30 Degrees
Drive Bolt Tensioner Bracket Bolt (VIN 1)	37 (50)
EGR Valve Adaptor Nut	37 (50)
Exhaust Manifold Bolt	
"C", "H", & "W" Bodies	22 (30)
"F" Body	17 (23)
Flywheel Bolt	
Step 1	11 (15)
Step 2	Additional 50 Degrees
Front Cover Bolt	
Step 1	(3) 15 (20)
Step 2	Additional 40 Degrees
Fuel Feed & Return Line Fitting	18 (24)
Intake Manifold Bolts	
VIN 1	
Lower (4)	11 (15)

Upper (Supercharger)	22	(30)
VIN K		
Lower (4)	11	(15)
Upper		(5)
Main Bearing Cap Bolt		
Step 1	30	(41)
Step 2	Additional 110	Degrees
Oil Cooler Adapter Connector	37	(50)
Oil Filter Adapter-To-Front Cover Bolt		
"H" Body	22	(30)
"W" Body		
Step 1	11	(15)
Step 2	Additional 50	Degrees
Oil Pan Bolt	(1)	10 (14)
Oil Screen-To-Block Bolt	11	(15)
Rocker Arm Bolt (1)		
Step 1	11	(15)
Step 2	Additional 90	Degrees
Side Main Bearing Cap Bolt		
Step 1	11	(15)
Step 2	Additional 45	Degrees
Supercharger-To-Intake Manifold Bolt (VIN		
1)	17	(23)
Timing Chain Damper Bolt (Special Bolt)	16	(22)
Valve Lifter Guide Bolt	22	(30)
Water Pump Bolt		
Step 1	11	(15)
Step 2	Additional 80	Degrees

INCH Lbs. (N.m)

Oil Pump Cover Screw	97	(11)
Rocker Arm Cover Bolt	(1)	89 (10)
Throttle Body Nut	89	(10)
Upper Intake Manifold Bolt (Except VIN 1)	89	(10)

- (1) - Apply thread locking compound to bolt(s).
- (2) - Tighten bolts in sequence. See Fig. 8.
- (3) - Apply thread sealant to bolt(s).
- (4) - Tighten bolts in sequence. See Figs. 4 and 5.
- (5) - Tighten in sequence to 89 INCH lbs. (10 N.m). See Figs. 2 and 3.

ENGINE SPECIFICATIONS

GENERAL SPECIFICATIONS

Application	Specification
Displacement	231 Cu. In. (3.8L)
Bore	3.80" (96.5 mm)
Stroke	3.40" (86.4 mm)
Compression Ratio (VIN K)	9.4:1
Compression Ratio (VIN 1)	8.5:1
Fuel System	SFI

CRANKSHAFT, MAIN & CONNECTING ROD BEARINGS

Application	In. (mm)
Crankshaft End Play	.003-.011 (.08-.28)

Main Bearings

Journal Diameter	2.4988-2.4998	(63.470-63.495)
Journal Out-Of-Round00025	(.0064)
Journal Taper00035	(.0089)
Oil Clearance			
Journal No. 10007-.0016	(.0178-.0406)
Journals No. 2, 3 & 40009-.0018	(.0229-.0457)

Connecting Rod Bearings

Journal Diameter	2.2487-2.2499	(57.117-57.147)
Journal Out-Of-Round0002	(.005)
Journal Taper00035	(.0089)
Oil Clearance0005-.0026	(.0127-.0660)

CONNECTING RODS

Application		In.	(mm)
Maximum Bend	(1) .005	(.13)
Maximum Twist	(1) .005	(.13)
Side Play0040-.0200	(.102-.508)

(1) - Bend or twist measured over total length.

PISTONS, PINS & RINGS

Application		In.	(mm)
Piston Clearance (1)			
Used Piston			
VIN 10008-.0039	(.020-.099)
VIN K0020-.0036	(.050-.091)
New Piston			
VIN 10008-.0017	(.020-.043)
VIN K0004-.0020	(.010-.051)
Pins			
Diameter			
VIN 19053-.9055	(22.995-23.000)
VIN K8659-.8661	(21.995-22.000)
Piston Fit			
VIN 100026-.00061	(.0066-.0155)
VIN K00008-.00051	(.0020-.0130)
Rod Fit			
VIN 100029-.00089	(.0073-.0226)
VIN K00030-.00090	(.0076-.0228)
Rings			
No. 1			
End Gap010-.018	(.25-.46)
Side Clearance0013-.0031	(.033-.079)
No. 2			
End Gap023-.033	(.58-.84)
Side Clearance0013-.0031	(.033-.079)
No. 3 (Oil)			
End Gap010-.030	(.25-.76)
Side Clearance0009-.0079	(.023-.201)

(1) - Measure 1.5" (39 mm) from top of engine block.

CYLINDER BLOCK

Application		In.	(mm)
-------------	--	-----	------

Cylinder Bore	
Diameter	3.80 (96.5)
Maximum Taper	.001 (.0254)
Maximum Out-Of-Round	.001 (.0254)

VALVES & VALVE SPRINGS

Application	Specification
Valves	
Face Angle	45 °
Minimum Margin	.025" (.64 mm)
Installed Height	1.935-1.975" (49.15-50.17 mm)
Valve Springs	
Free Length	1.960" (49.78 mm)
Installed Height	1.690-1.720" (42.93-43.69 mm)
	Lbs. @ In. (kg @ mm)
Pressure	
Valve Closed	75 @ 1.72 (34 @ 43.7)
Valve Open	228 @ 1.277 (104 @ 32.4)

CYLINDER HEAD

Application	Specification
Maximum Warpage	.010" (.25 mm)
Valve Seats	
Intake Valve	
Seat Angle	45 °
Seat Width	.060-.080" (1.52-2.03 mm)
Seat Runout (Maximum)	.002" (.05 mm)
Exhaust Valve	
Seat Angle	45 °
Seat Width	.090-.110" (2.29-2.79 mm)
Seat Runout (Maximum)	.002" (.05 mm)
Valve Guide Oil Clearance	.0015-.0032" (.038-.089 mm)

CAMSHAFT

Application	In. (mm)
Journal Diameter	1.8448-1.8462 (46.858-46.893)
Lobe Lift	
Intake	.258 (6.55)
Exhaust	.255 (6.48)
Oil Clearance	.0016-.0047 (.041-.119)

A00098269